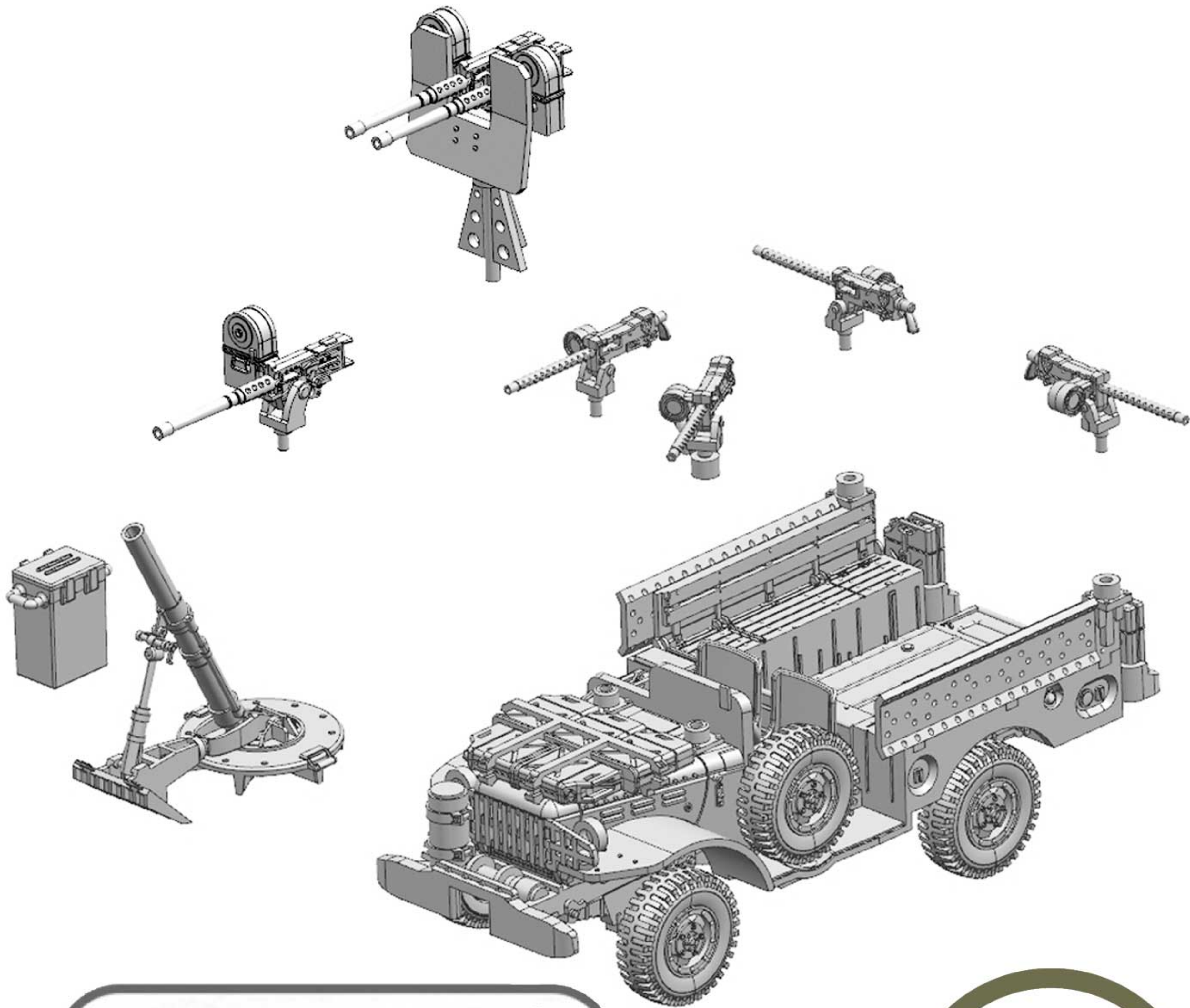


4X4 DODGE TRUCK MODEL KIT ASSEMBLY INSTRUCTIONS



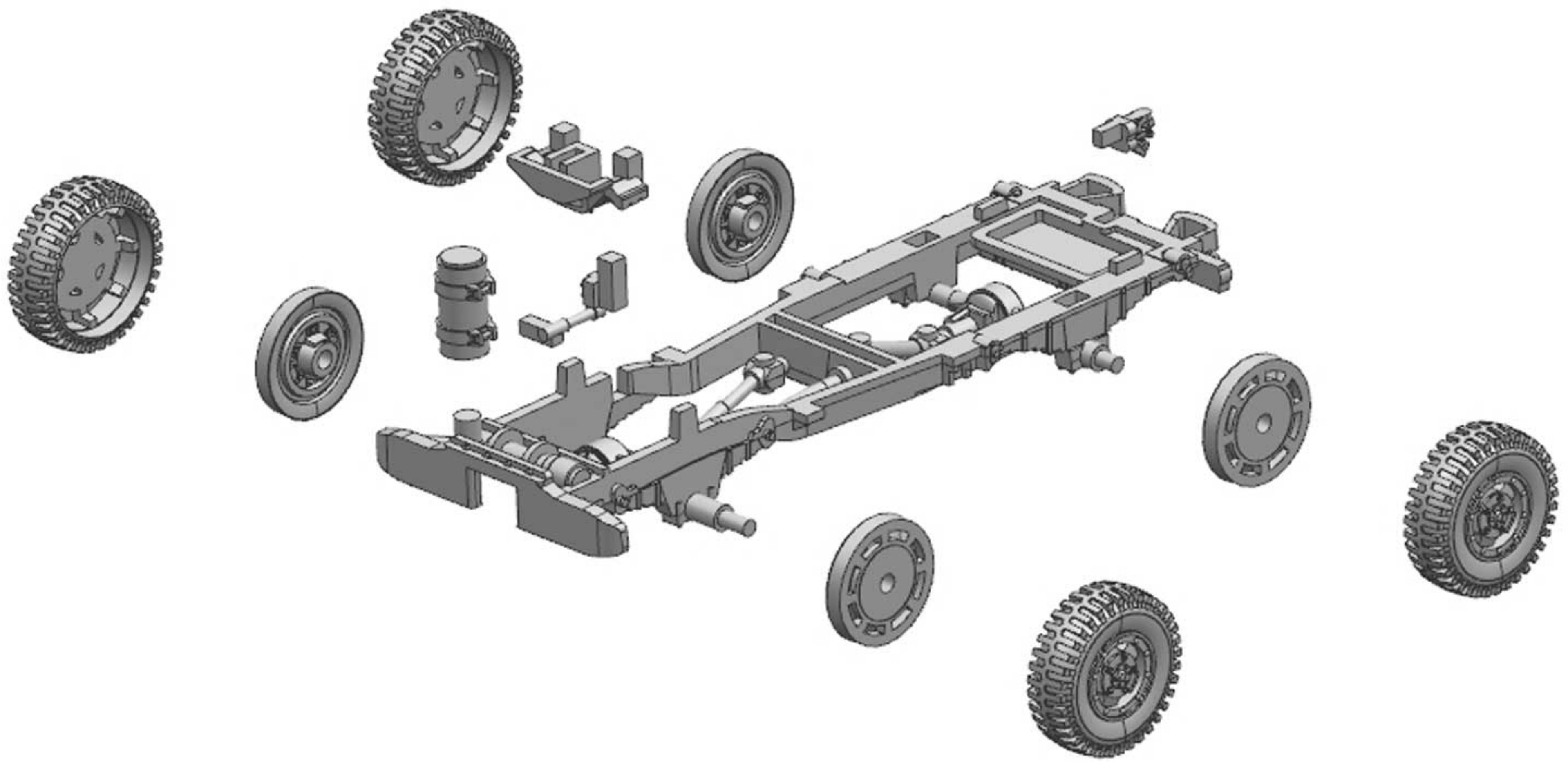
REMEMBER TO
DRY-FIT
YOUR PARTS
BEFORE USING
ANY GLUE.



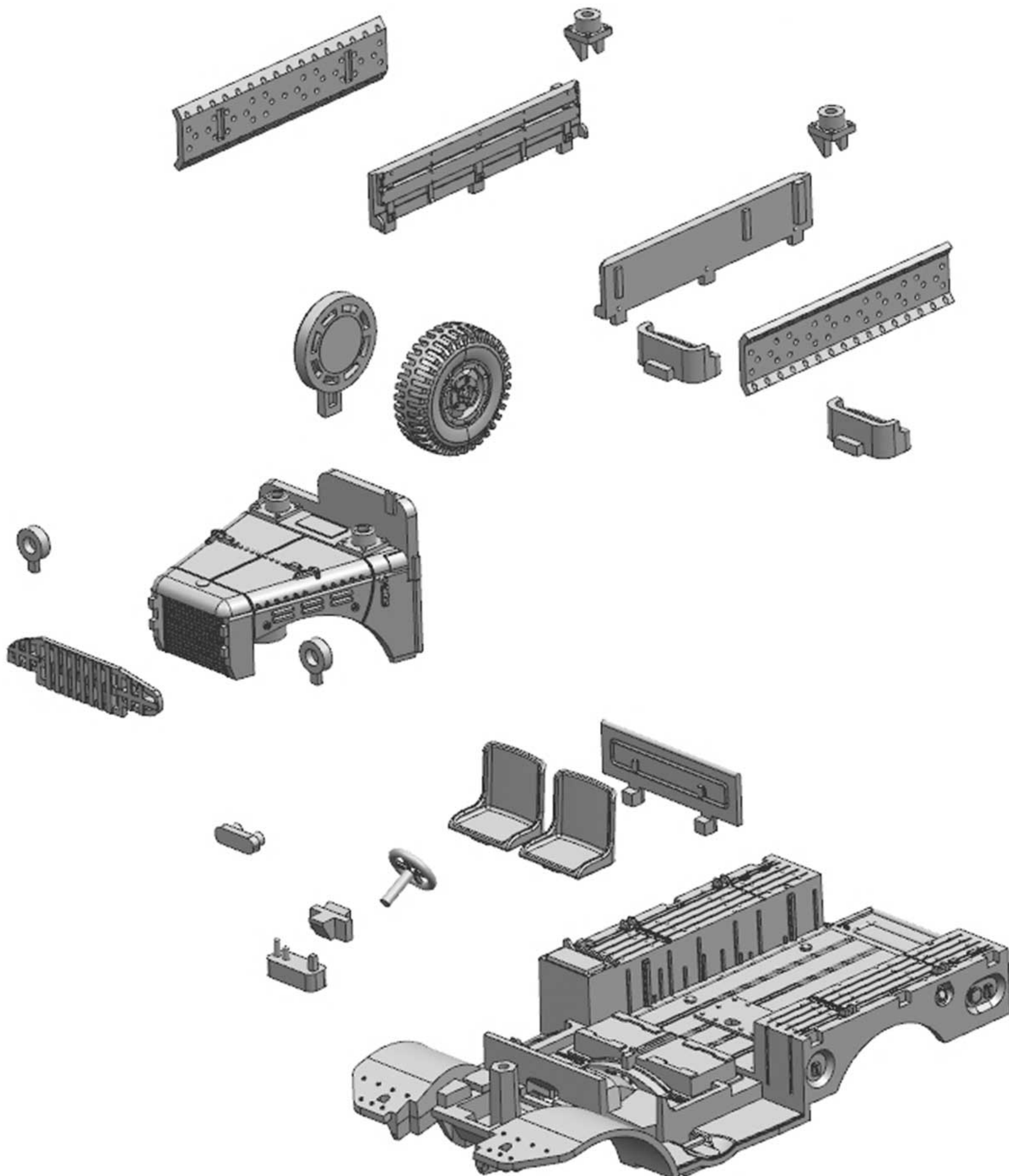
DODGE
STUDIO

K-AL722

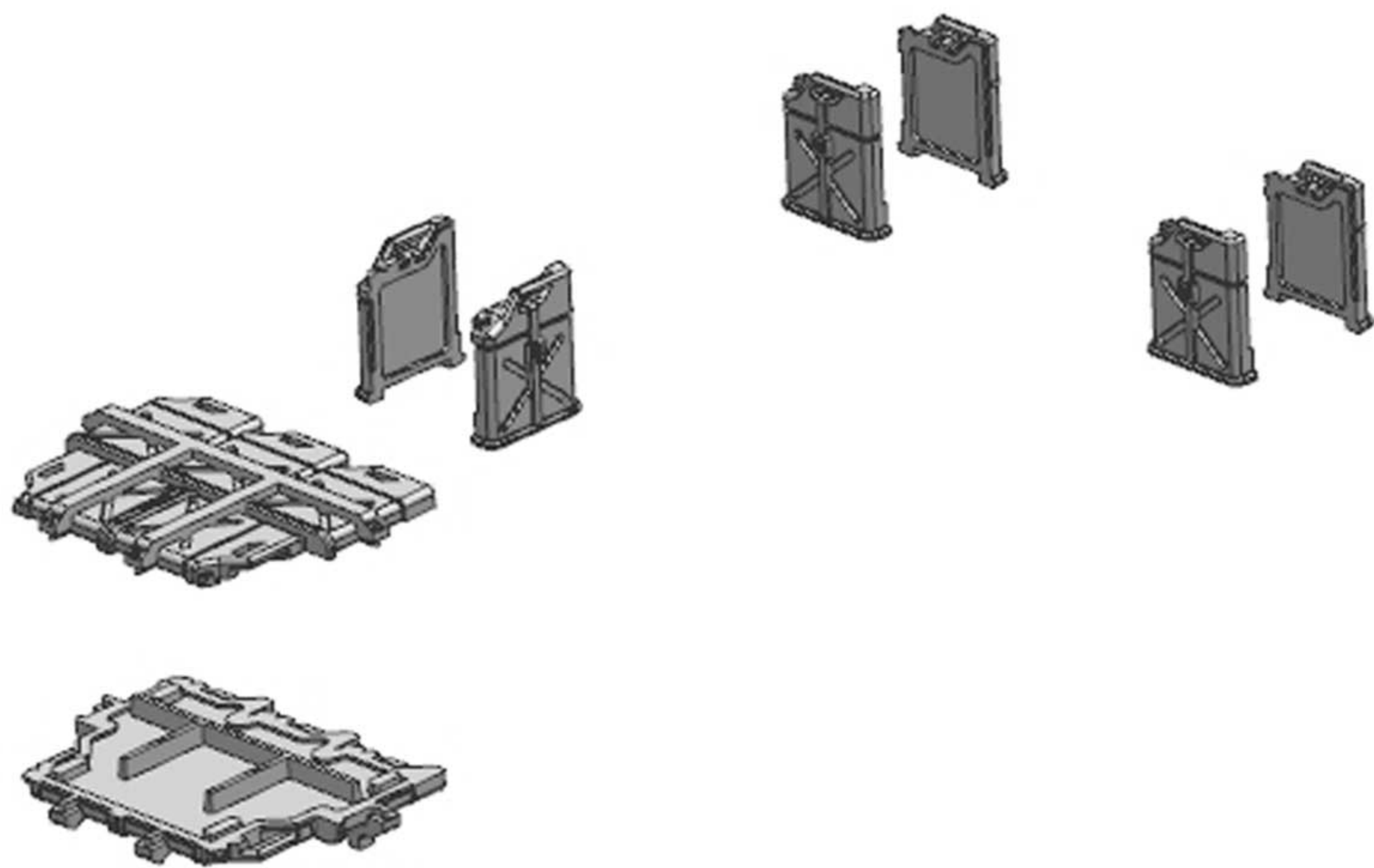
CHASSIS ASSEMBLY.



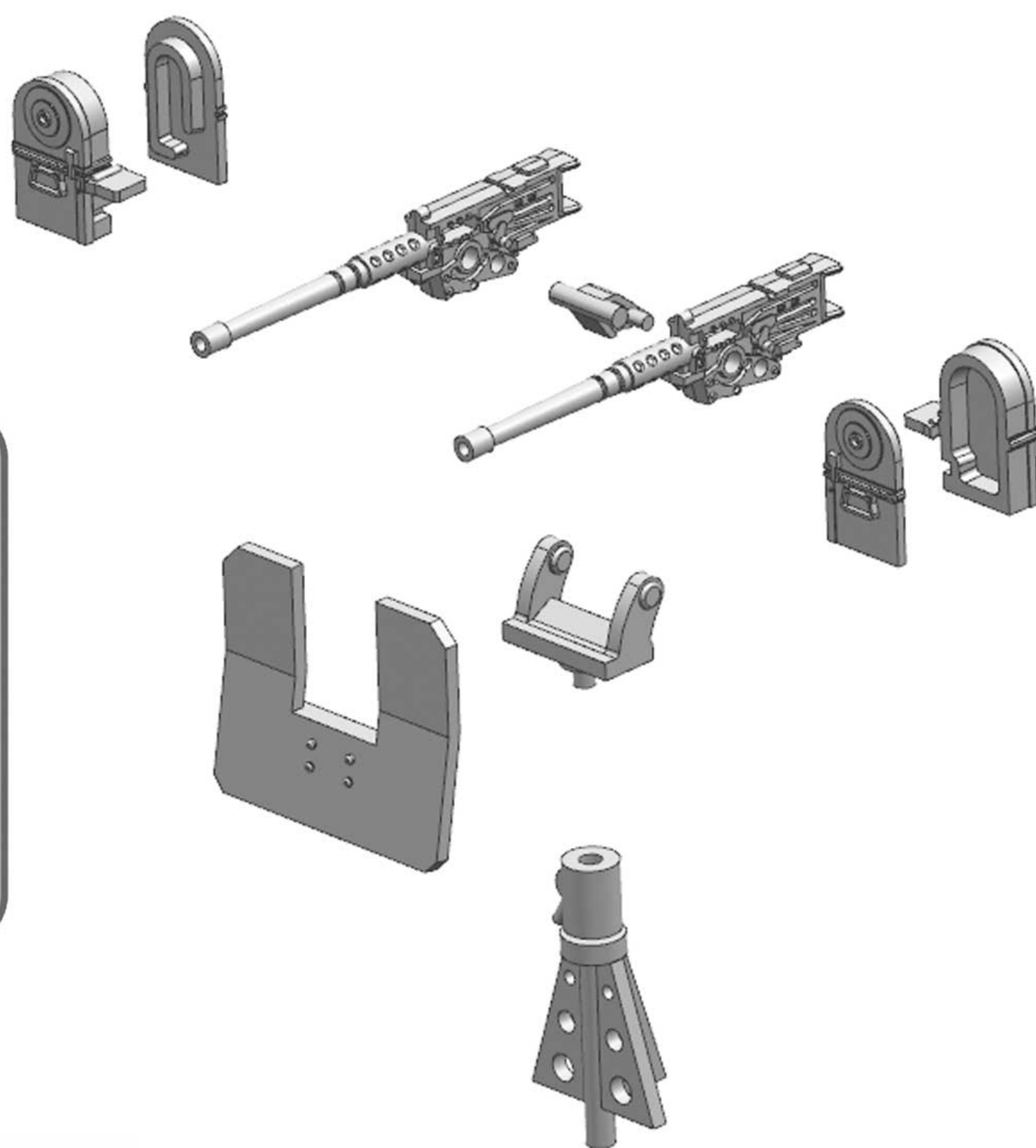
MAIN BODY ASSEMBLY.



JERRYCANS ASSEMBLY.



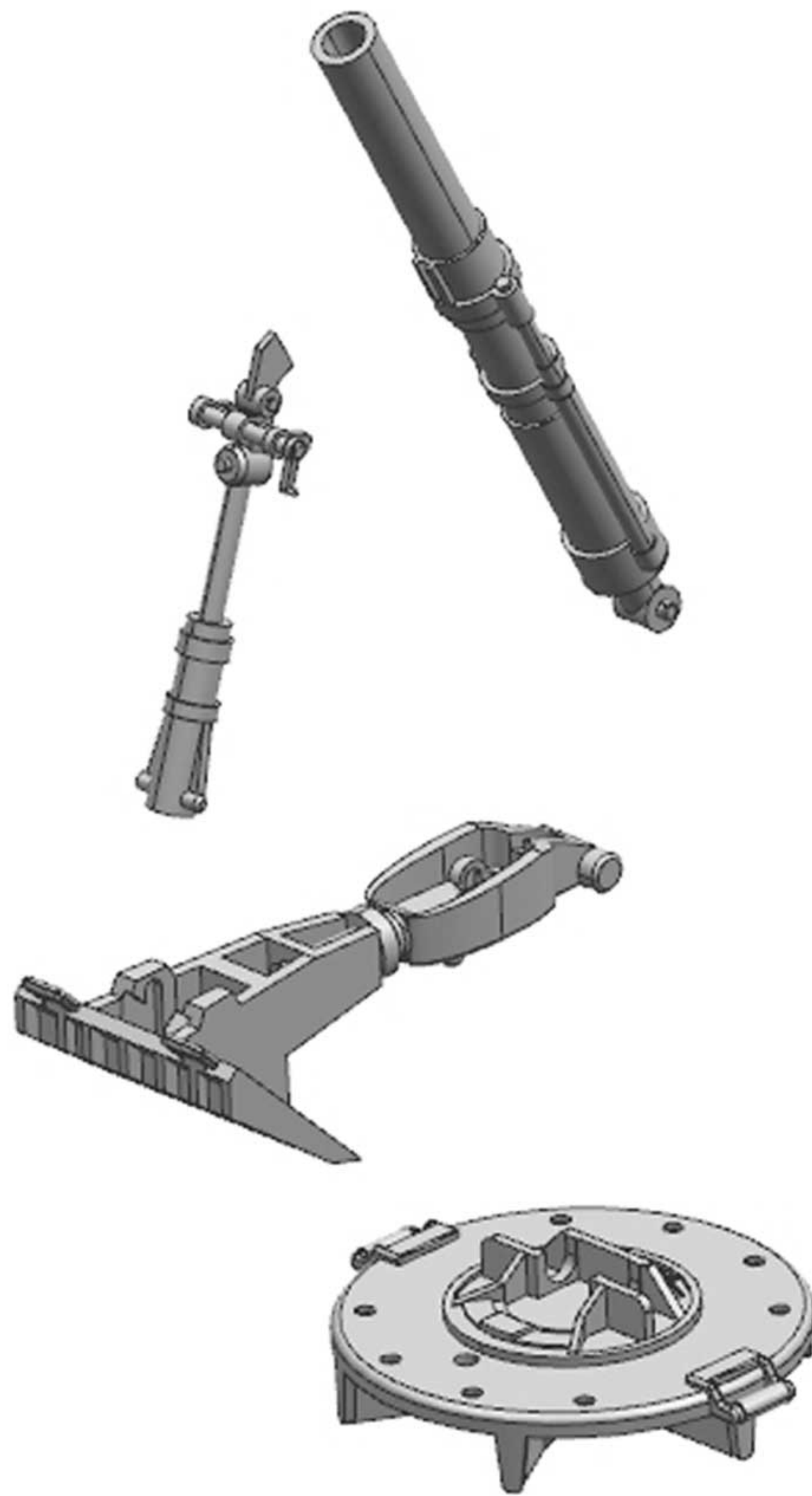
TWIN 50CAL. ASSEMBLY.



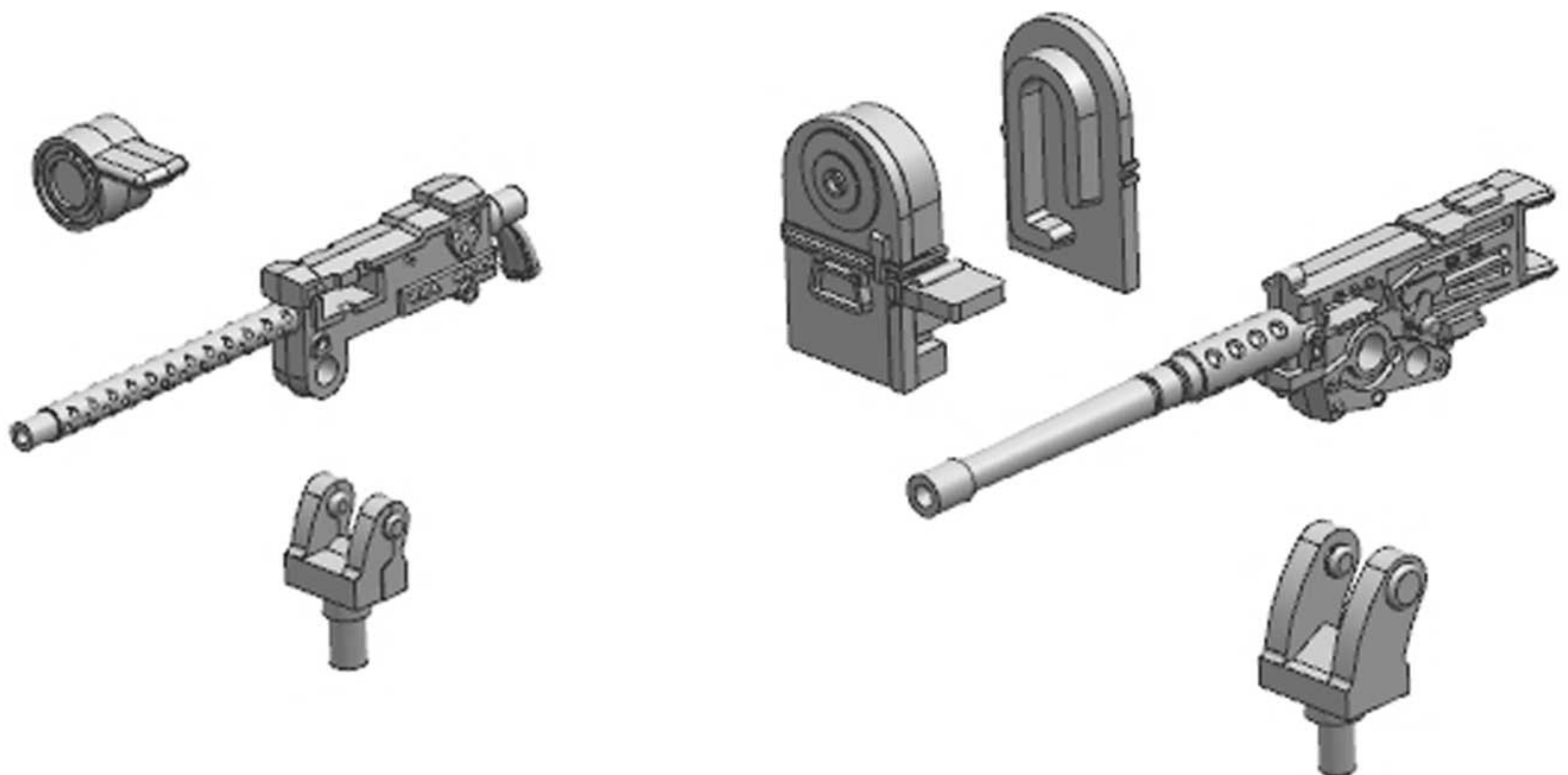
REMEMBER TO
DRY-FIT
YOUR PARTS
BEFORE USING
ANY GLUE.



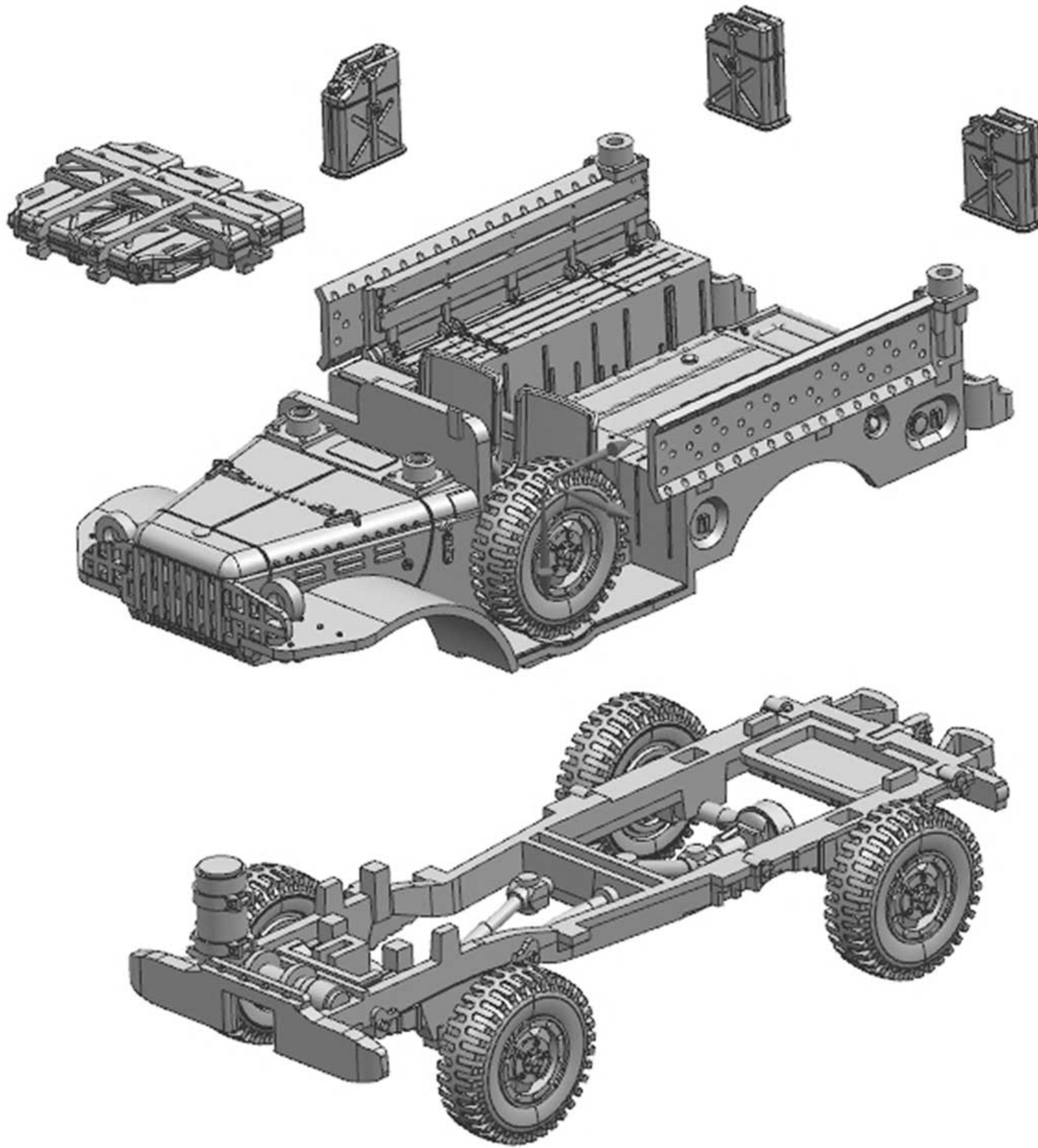
MORTAR ASSEMBLY.



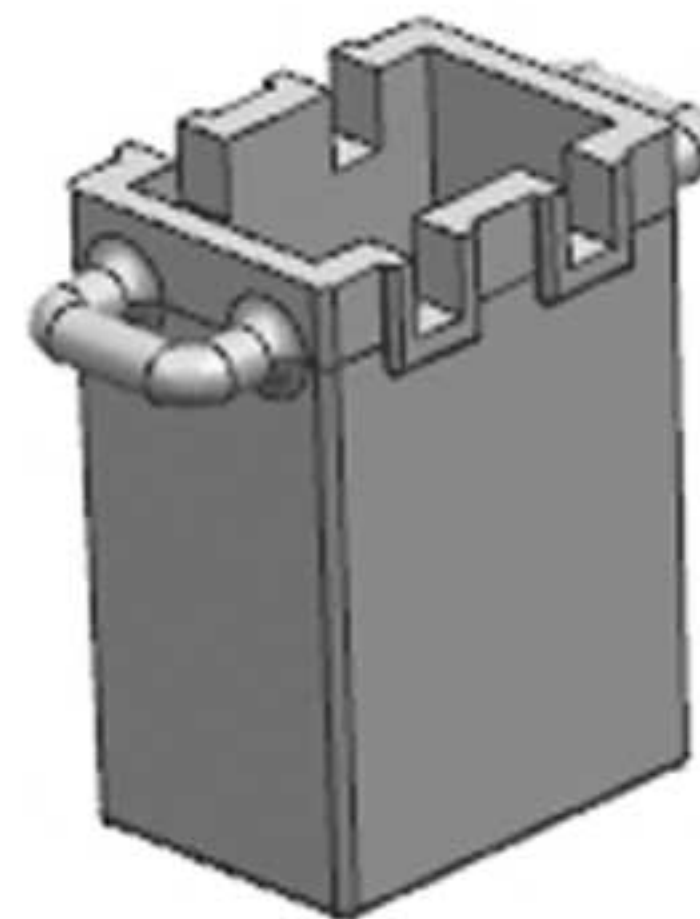
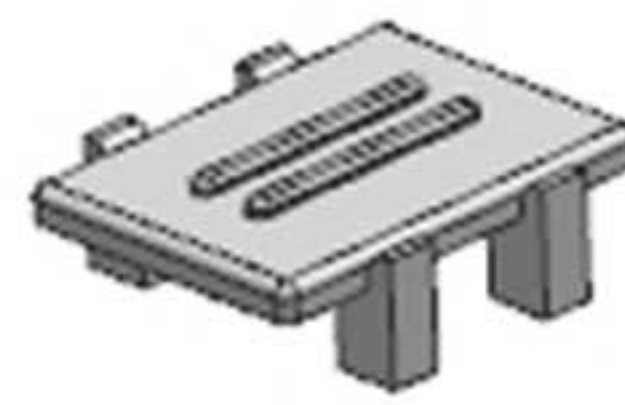
30CAL. AND 50CAL. ASSEMBLY.



CHASSIS + BODY ASSEMBLY.



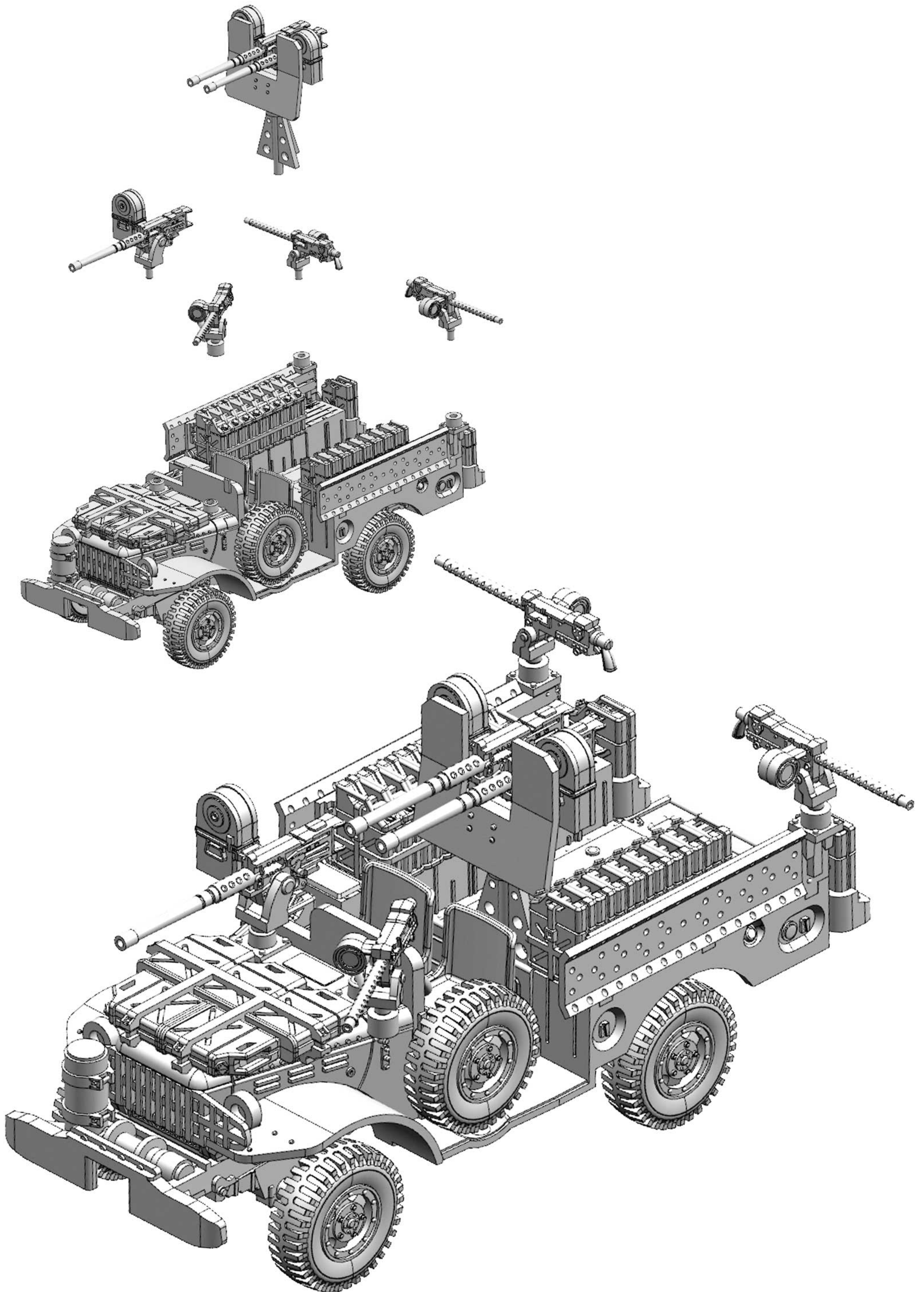
MORTAR AMMUNITION CRATE ASSEMBLY.



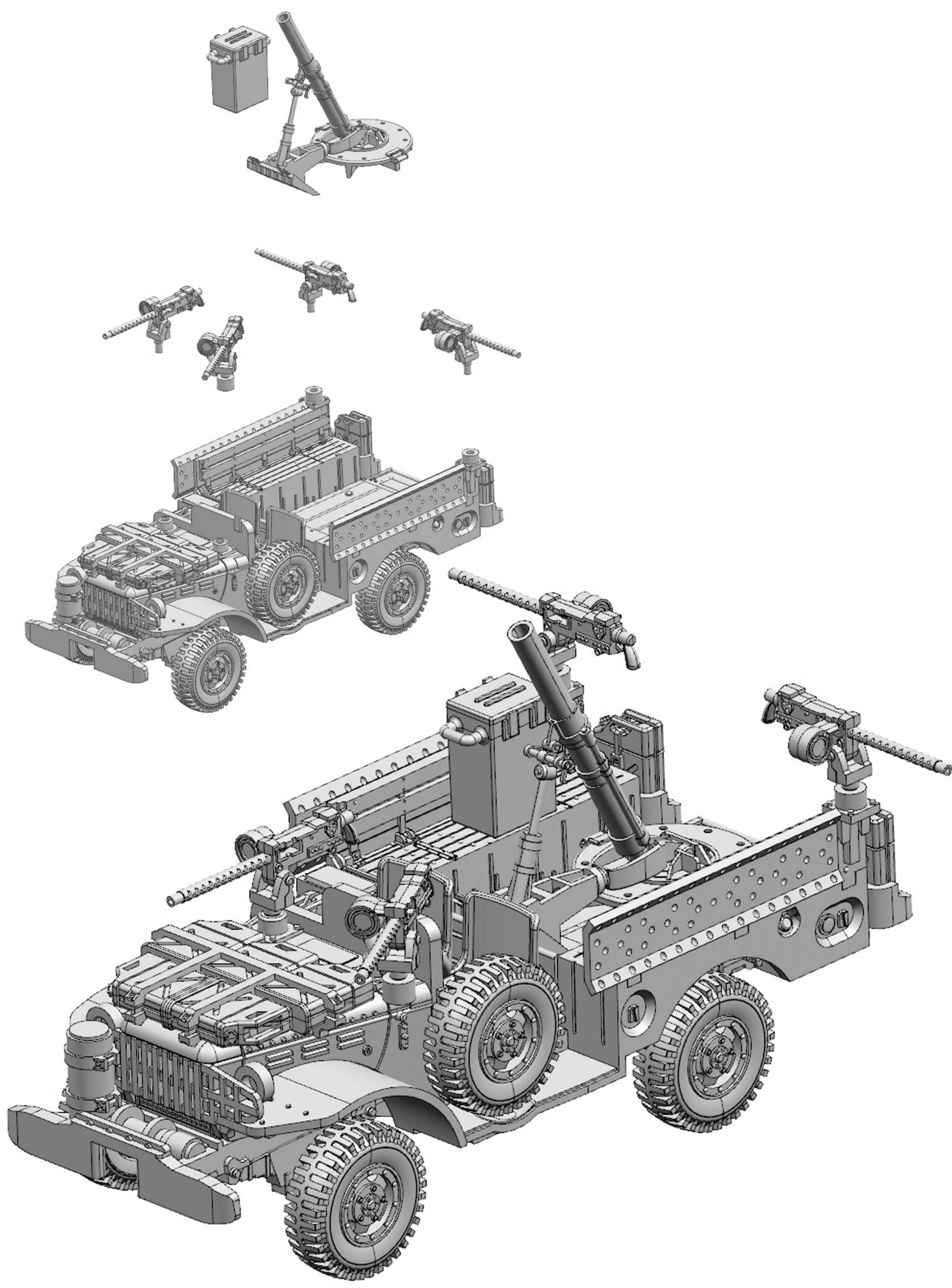
REMEMBER TO
DRY-FIT
YOUR PARTS
BEFORE USING
ANY GLUE.



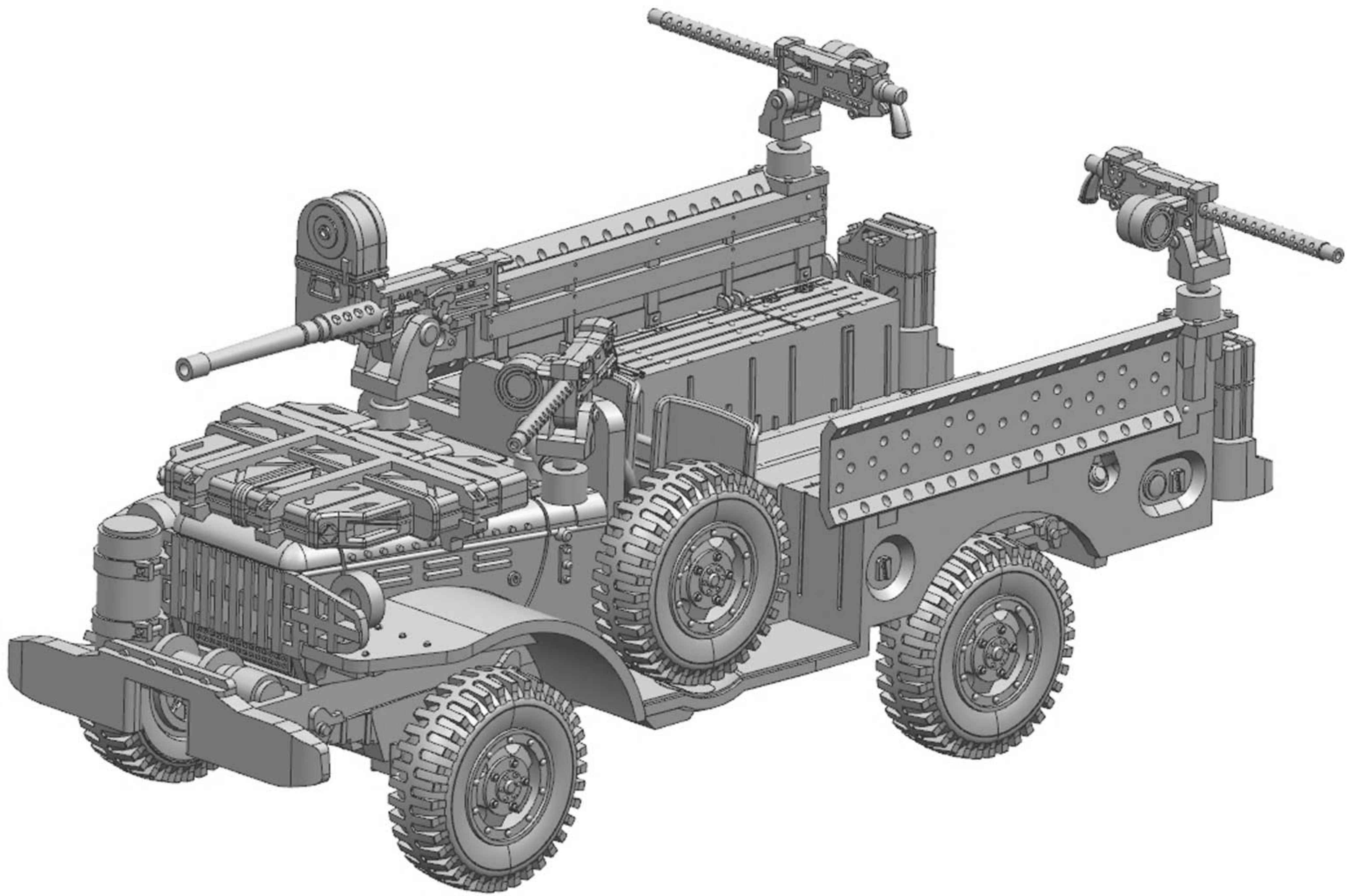
ASSAULT TRUCK FINAL ASSEMBLY.



MORTAR TRUCK FINAL ASSEMBLY.



TRANSPORT TRUCK SET-UP.



THIS SET INCLUDES
THREE UNIT CARDS,
ONE FOR ASSAULT,
ONE FOR MORTAR AND
ONE FOR TRANSPORT
4X4 DODGE TRUCK.



www.dust-models.com