

# MEATGRINDER/PULVERIZER ASSEMBLY INSTRUCTIONS



REMEMBER TO  
DRY-FIT  
YOUR PARTS  
BEFORE USING  
ANY GLUE.

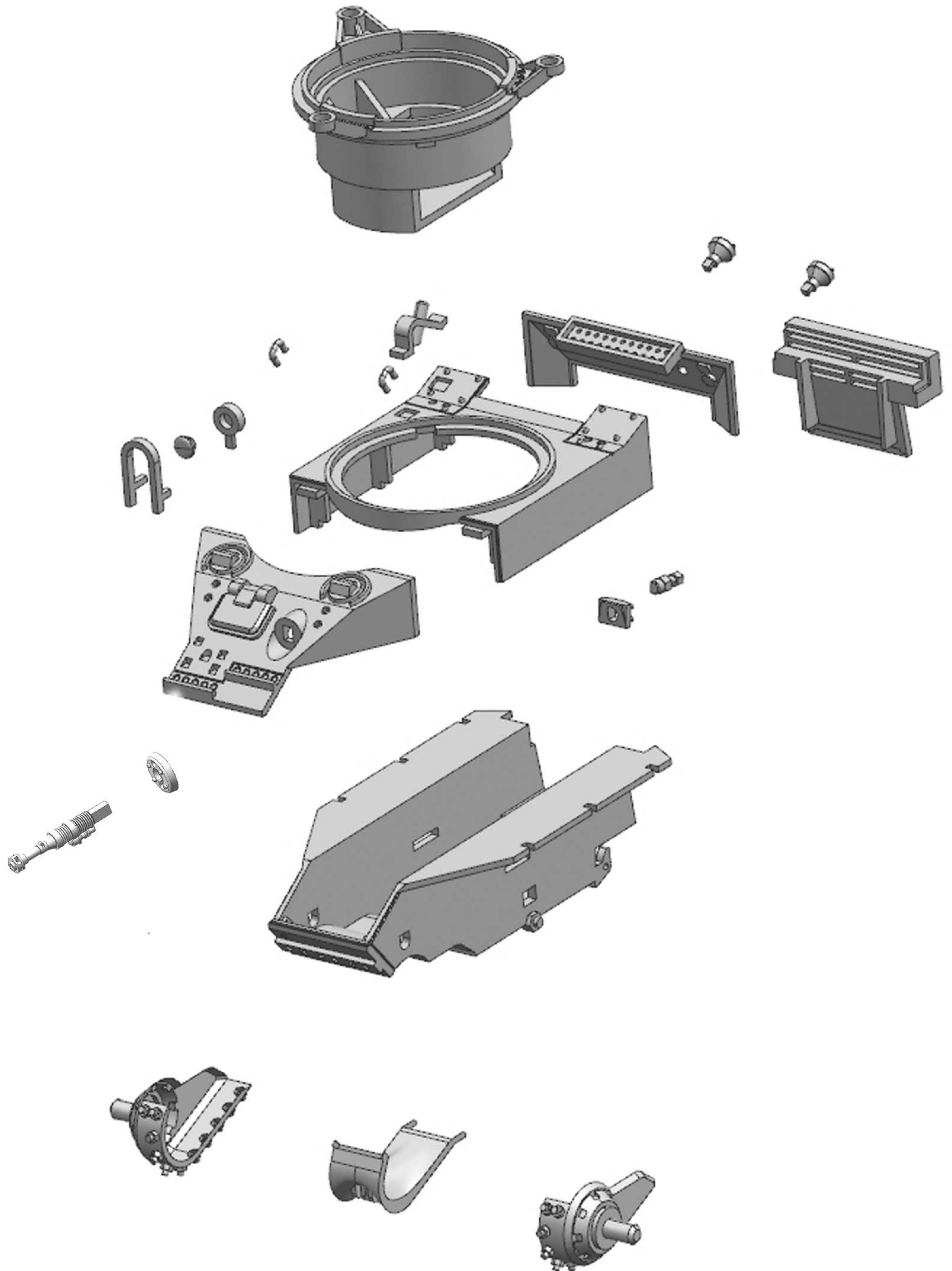


**TOTAL  
STUDIO**

**K-ME703**

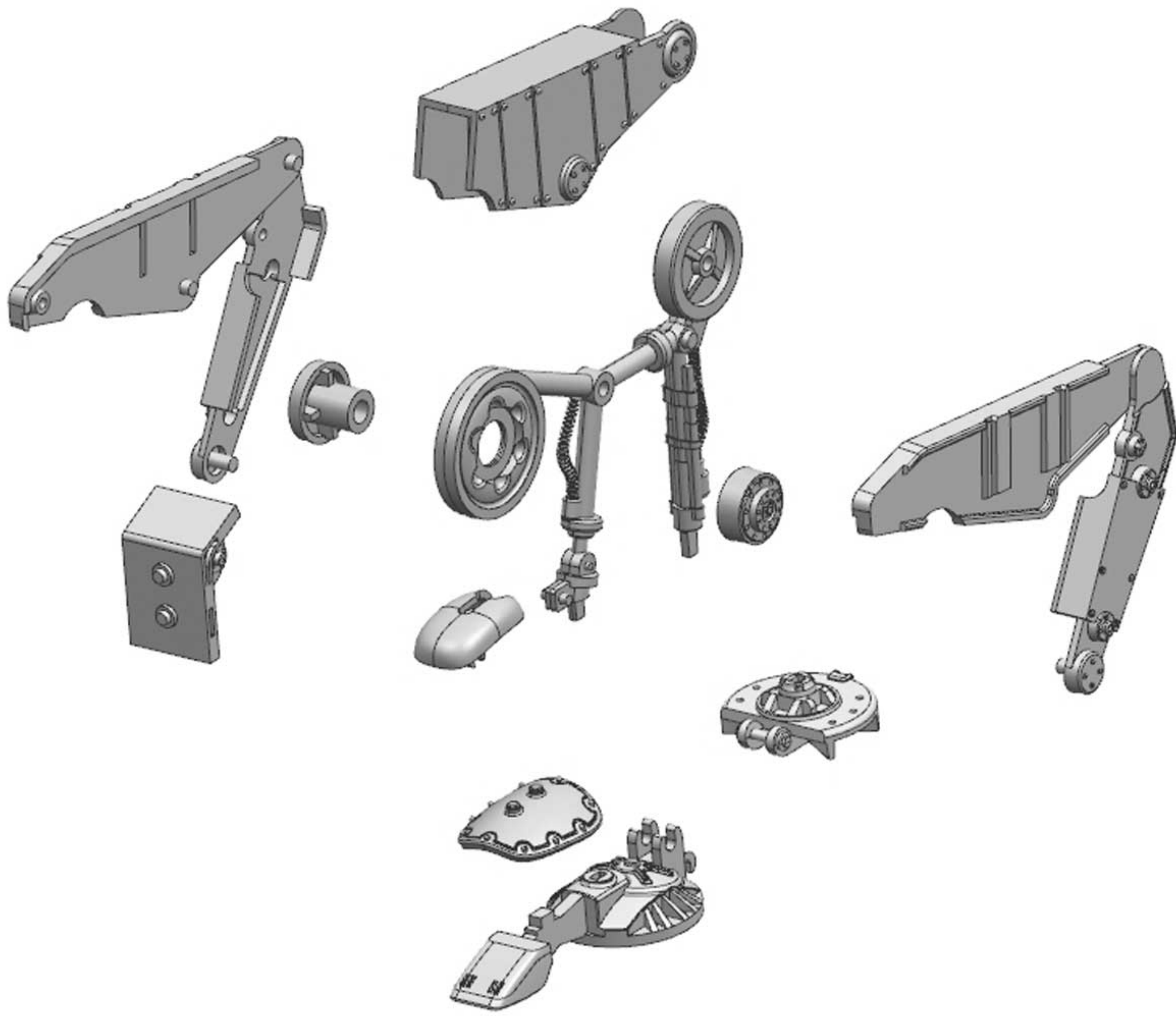


# BODY ASSEMBLY.

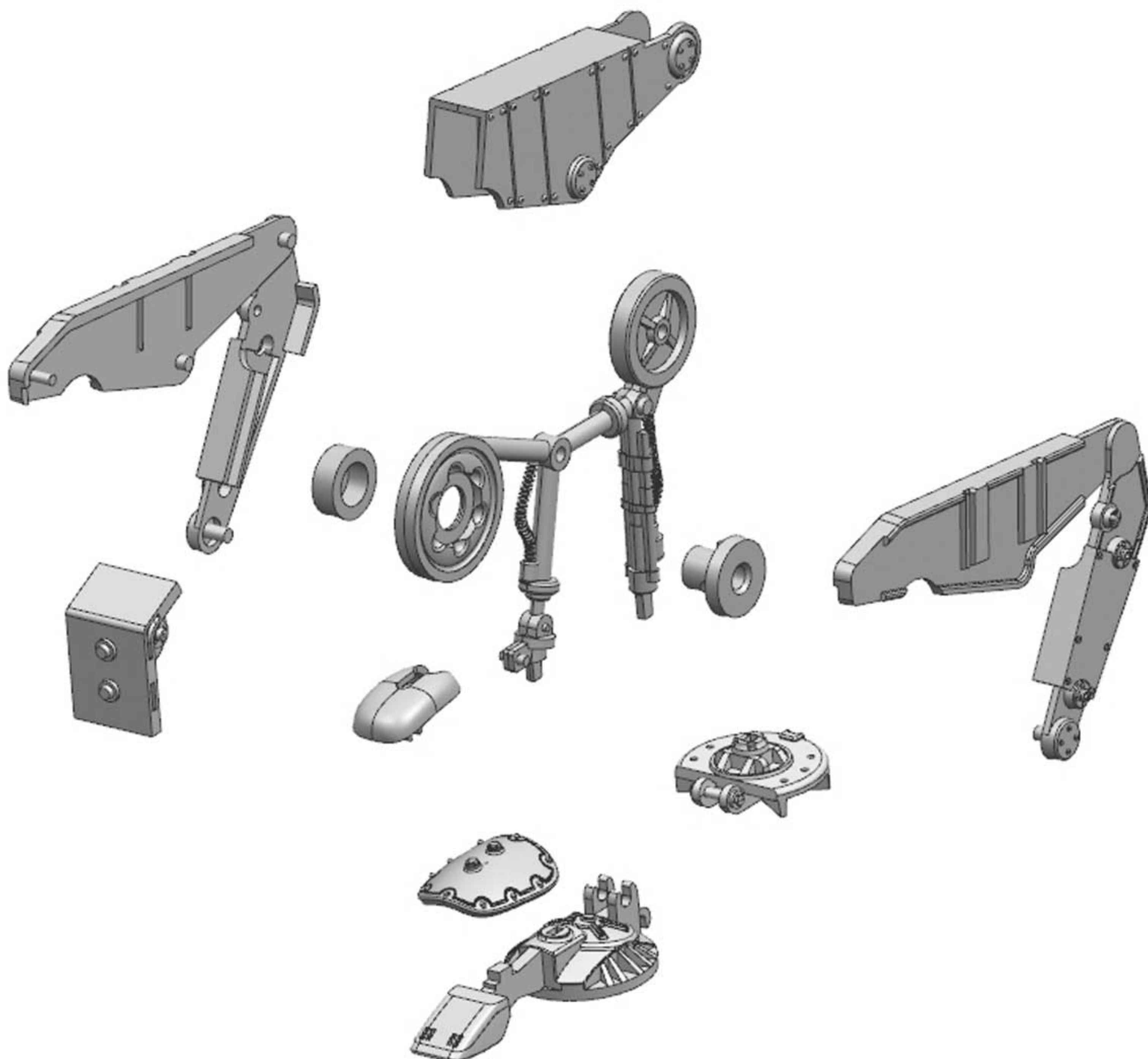




# LEFT LEG ASSEMBLY.

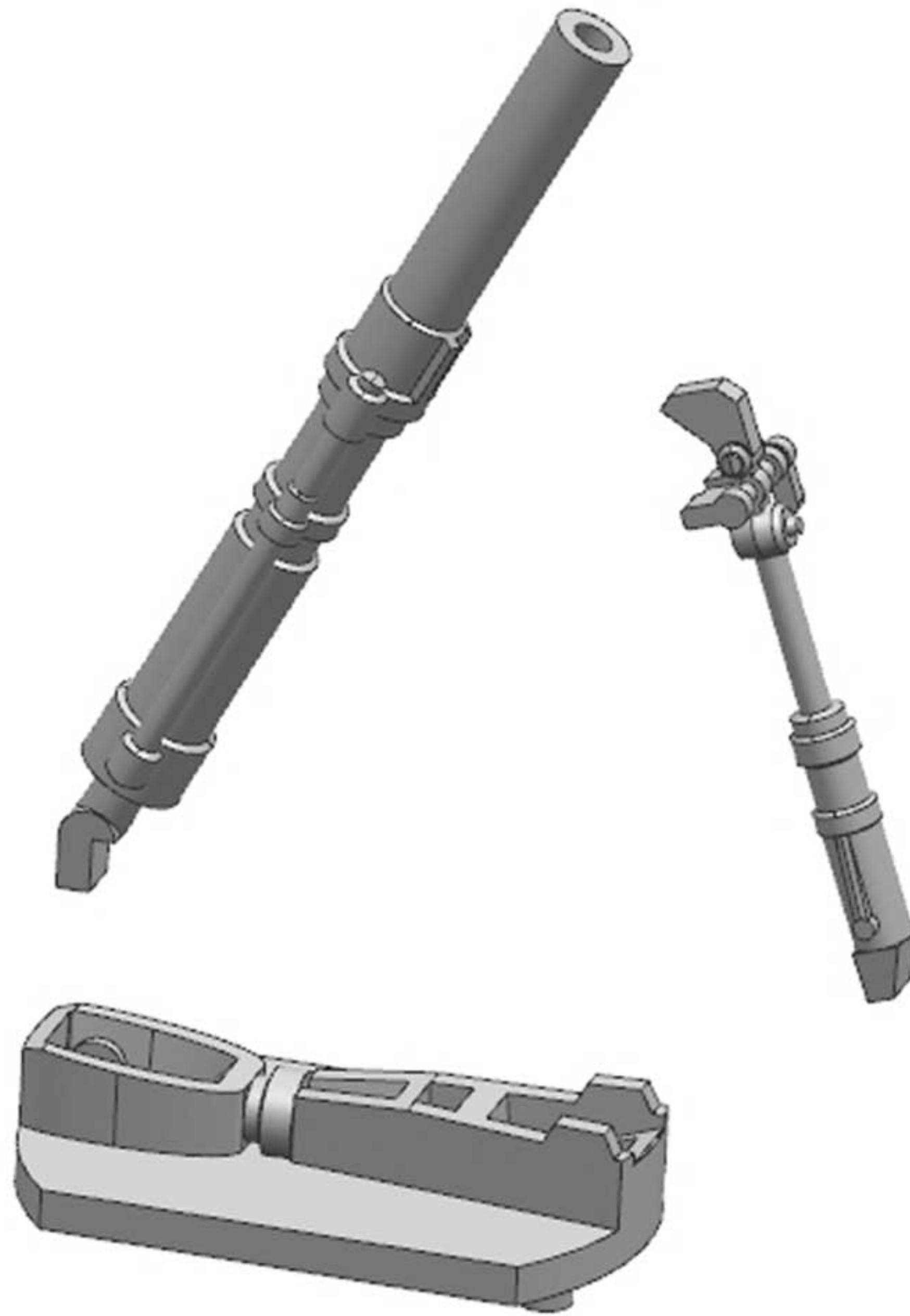


# RIGHT LEG ASSEMBLY.

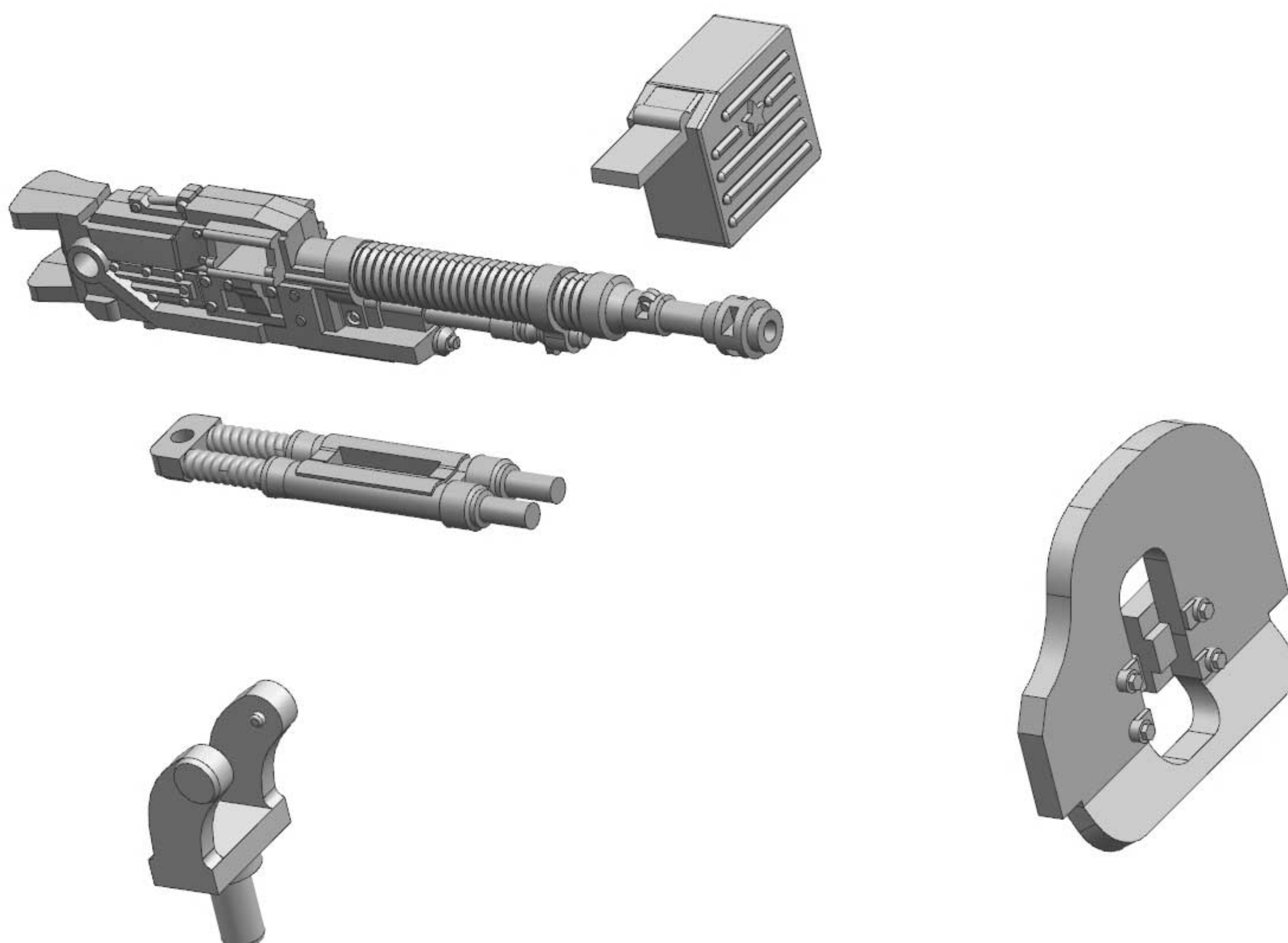




# MORTAR ASSEMBLY.

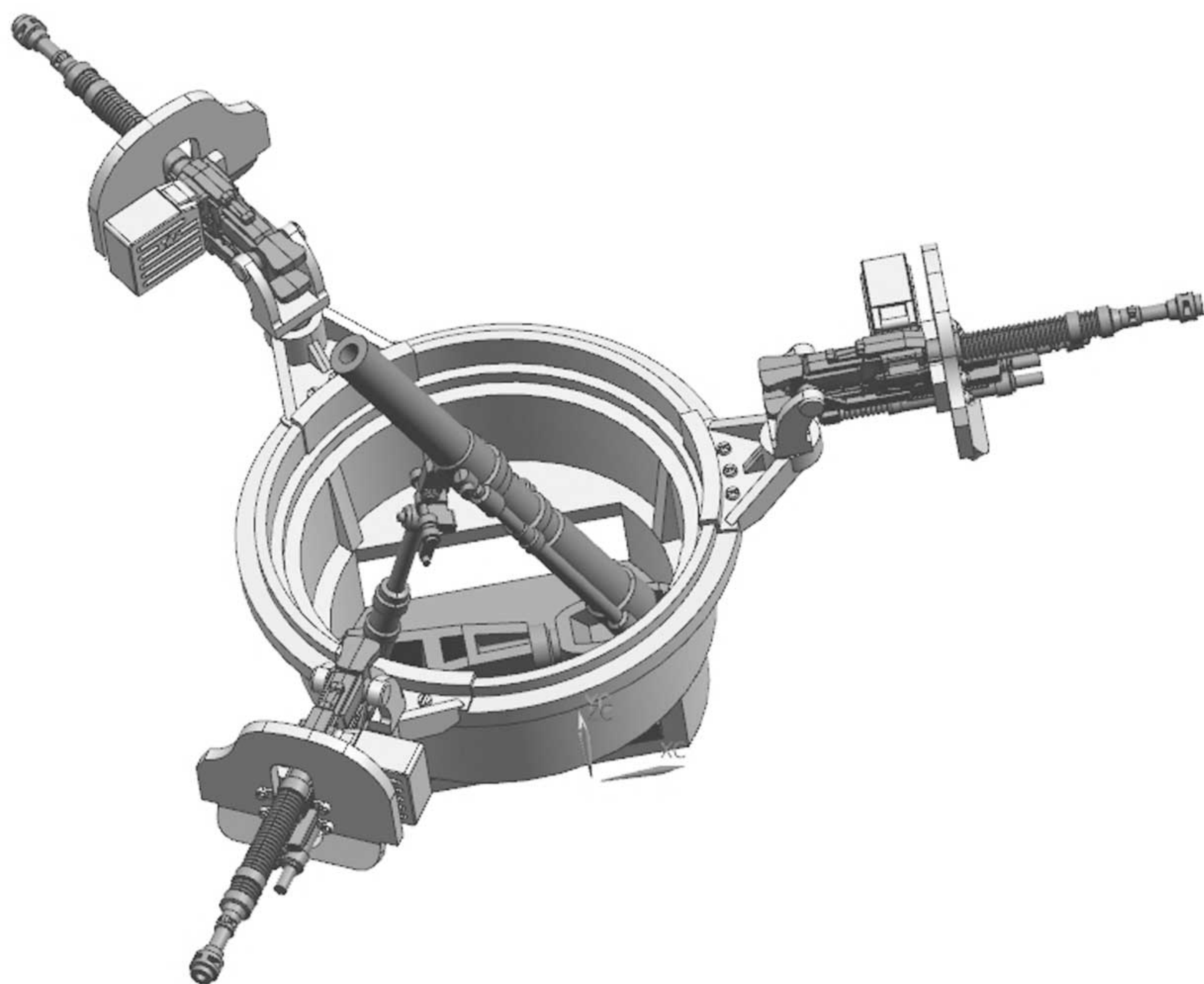


# SHIELDED HMG ASSEMBLY.

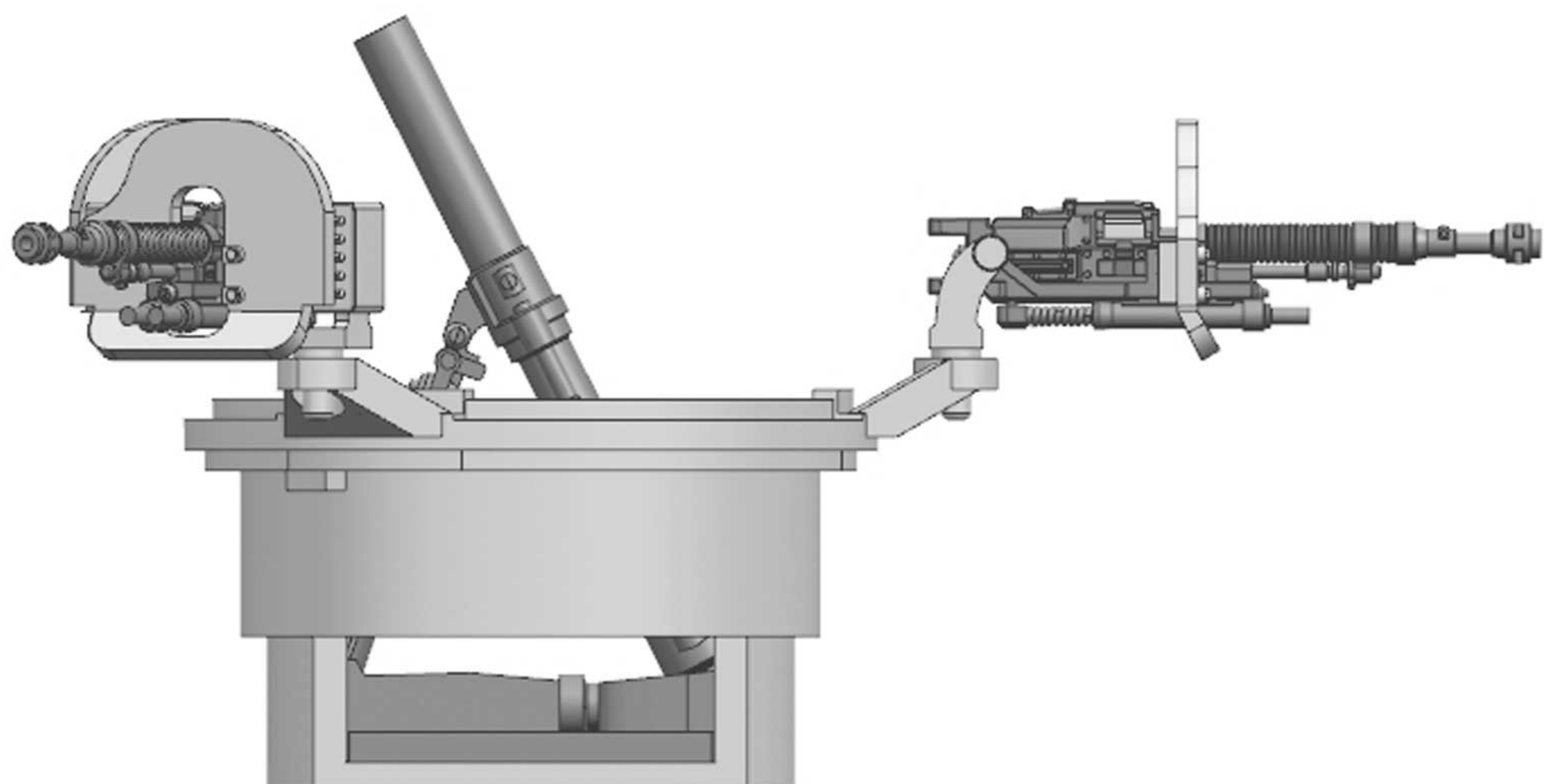




# FINISHED MORTAR PART.

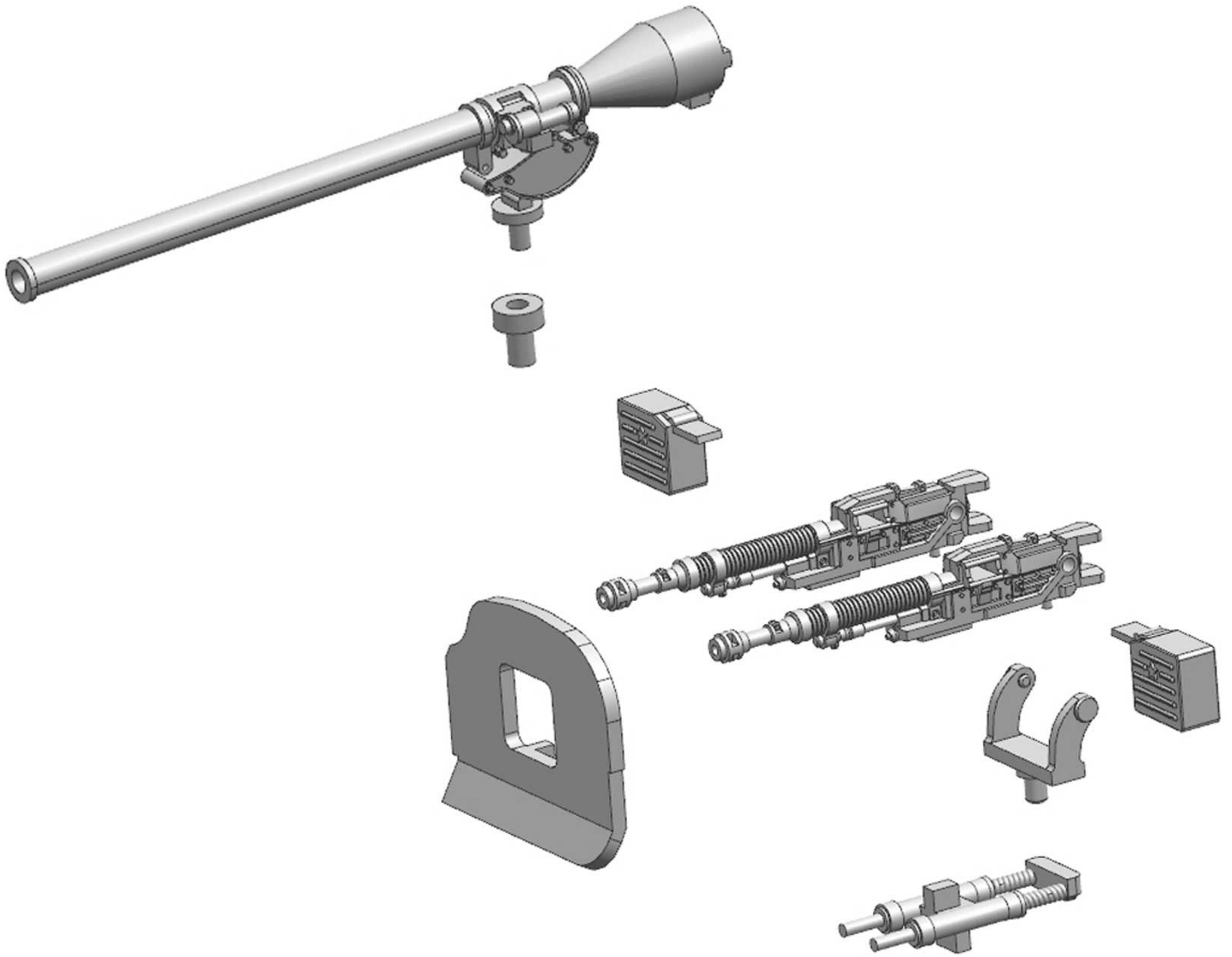


# SIDE VIEW.





# OTHER WEAPONS ASSEMBLY.



THIS SET INCLUDES  
TWO UNIT CARDS,  
ONE FOR THE  
MEATGRINDER  
AND ONE FOR  
THE PULVERIZER.

