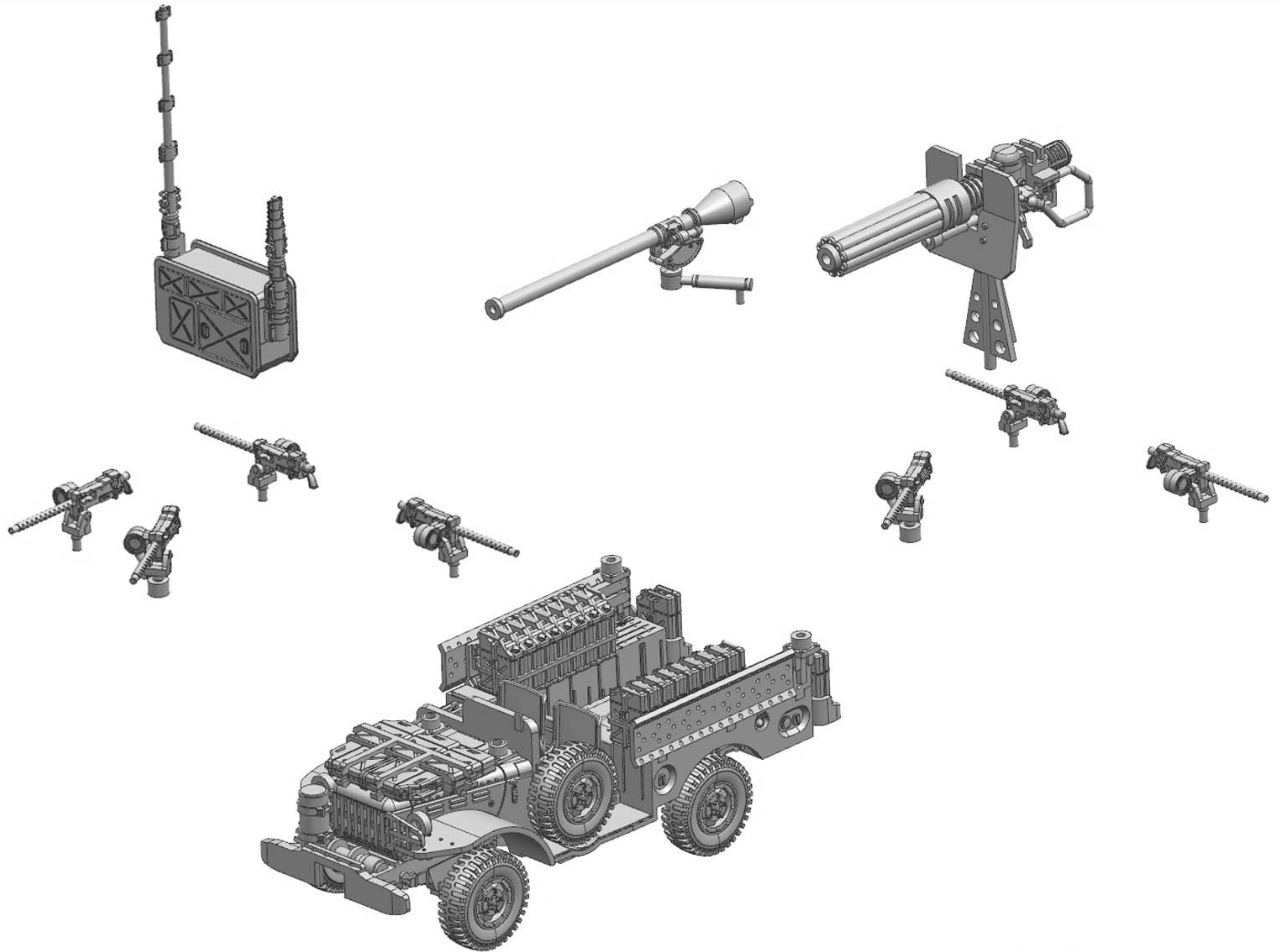


# 4X4 DODGE TRUCK MODEL KIT ASSEMBLY INSTRUCTIONS

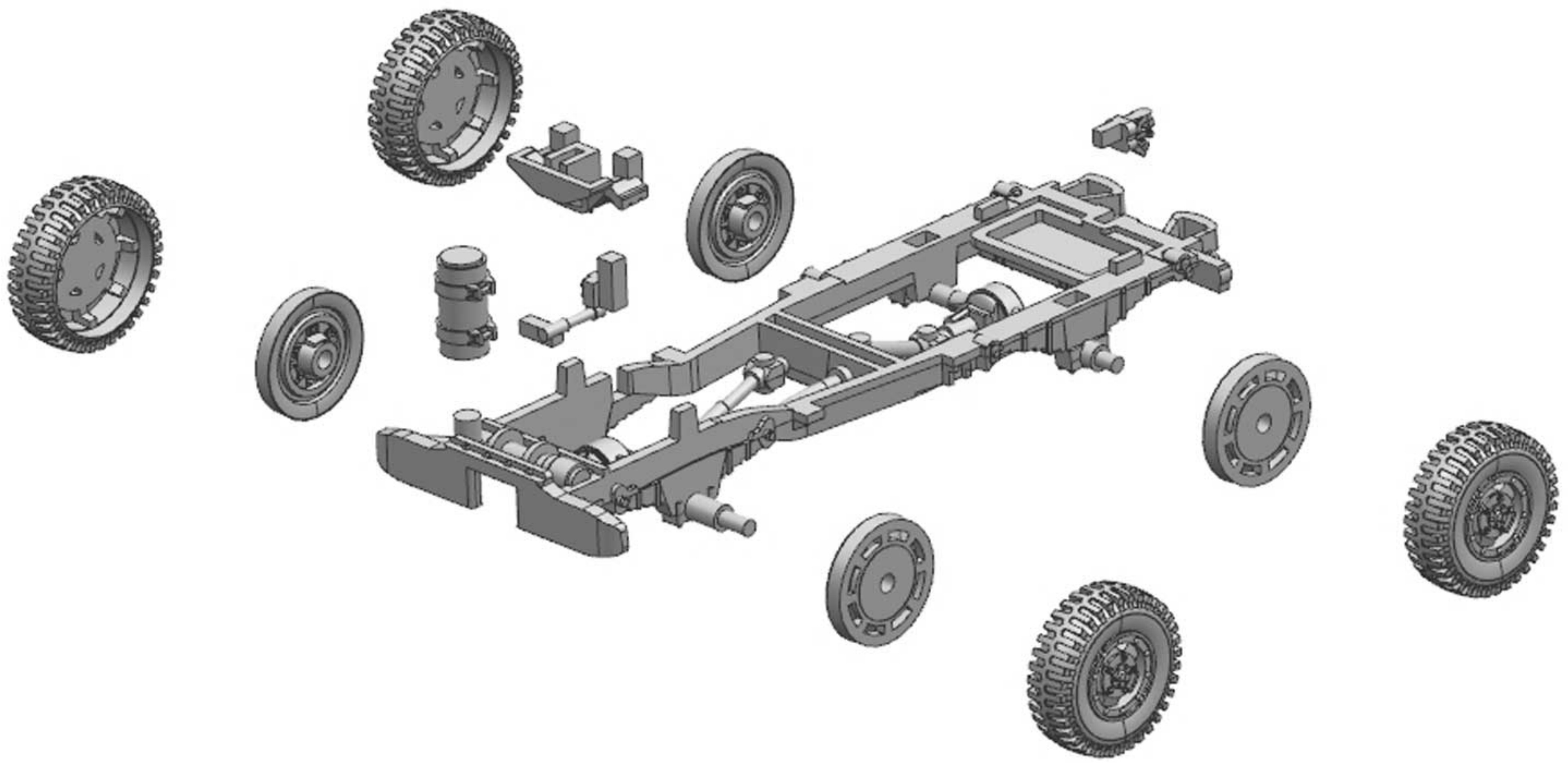


REMEMBER TO  
DRY-FIT  
YOUR PARTS  
BEFORE USING  
ANY GLUE.

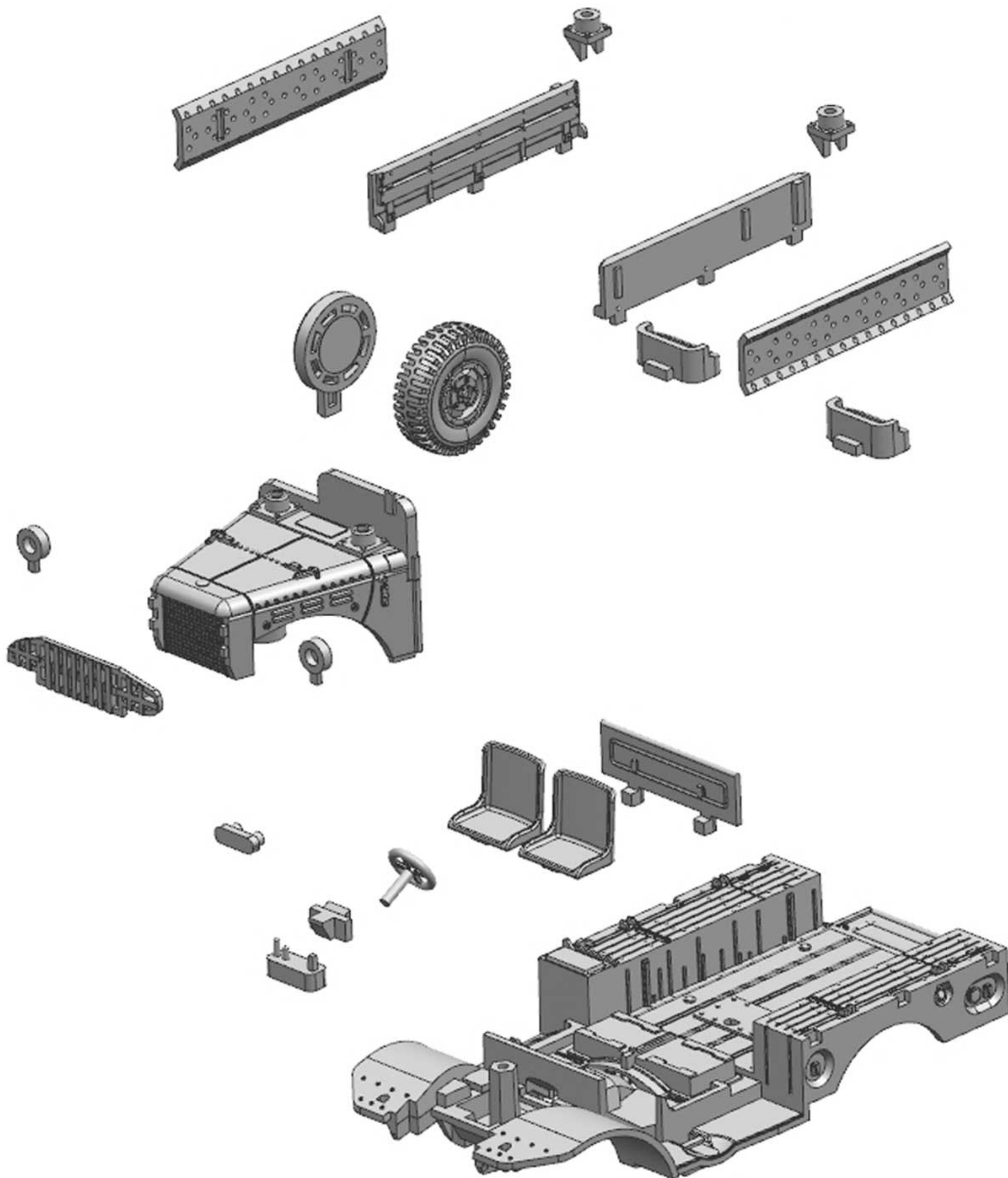


K-AL720

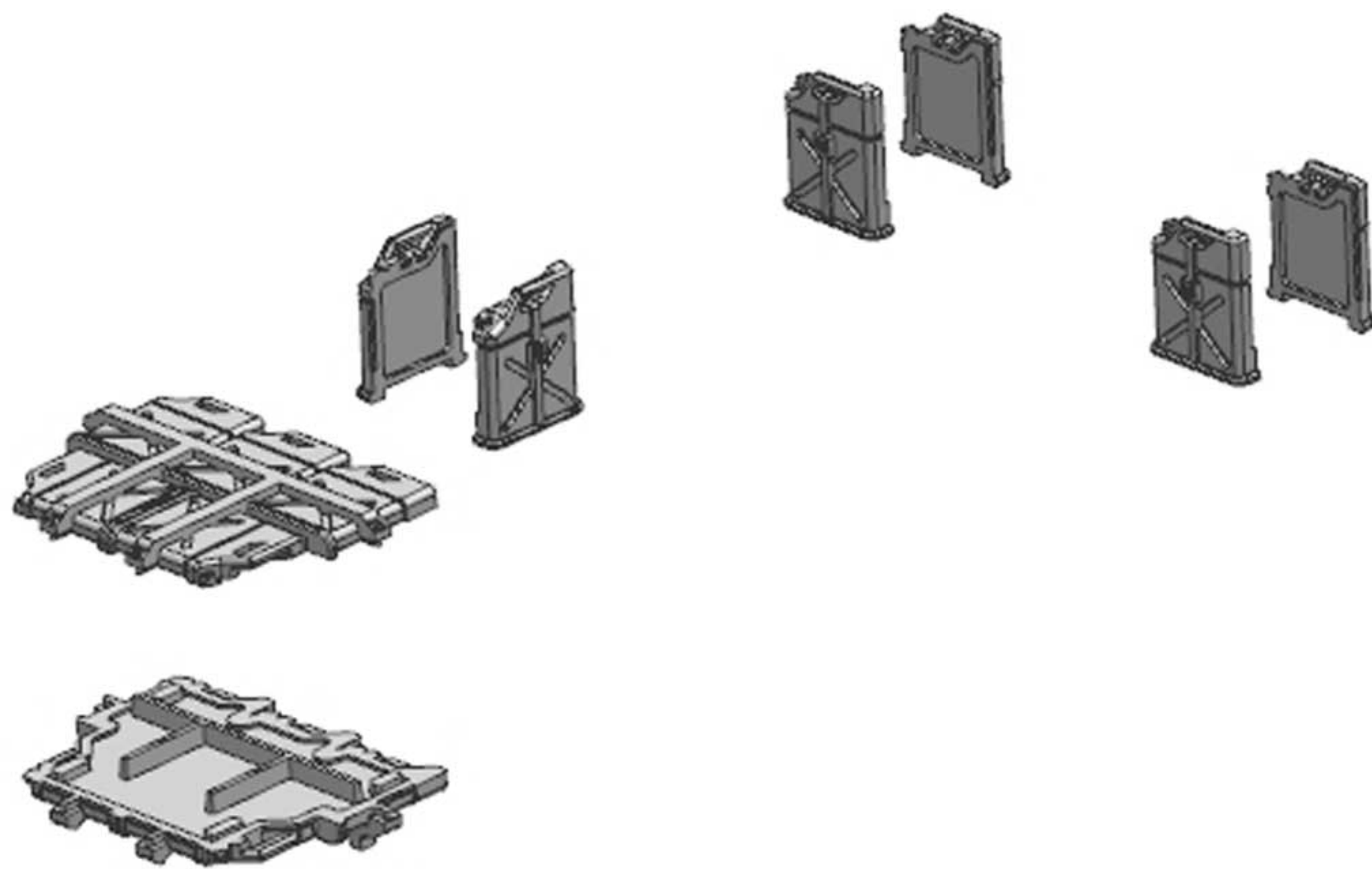
# CHASSIS ASSEMBLY.



# MAIN BODY ASSEMBLY.

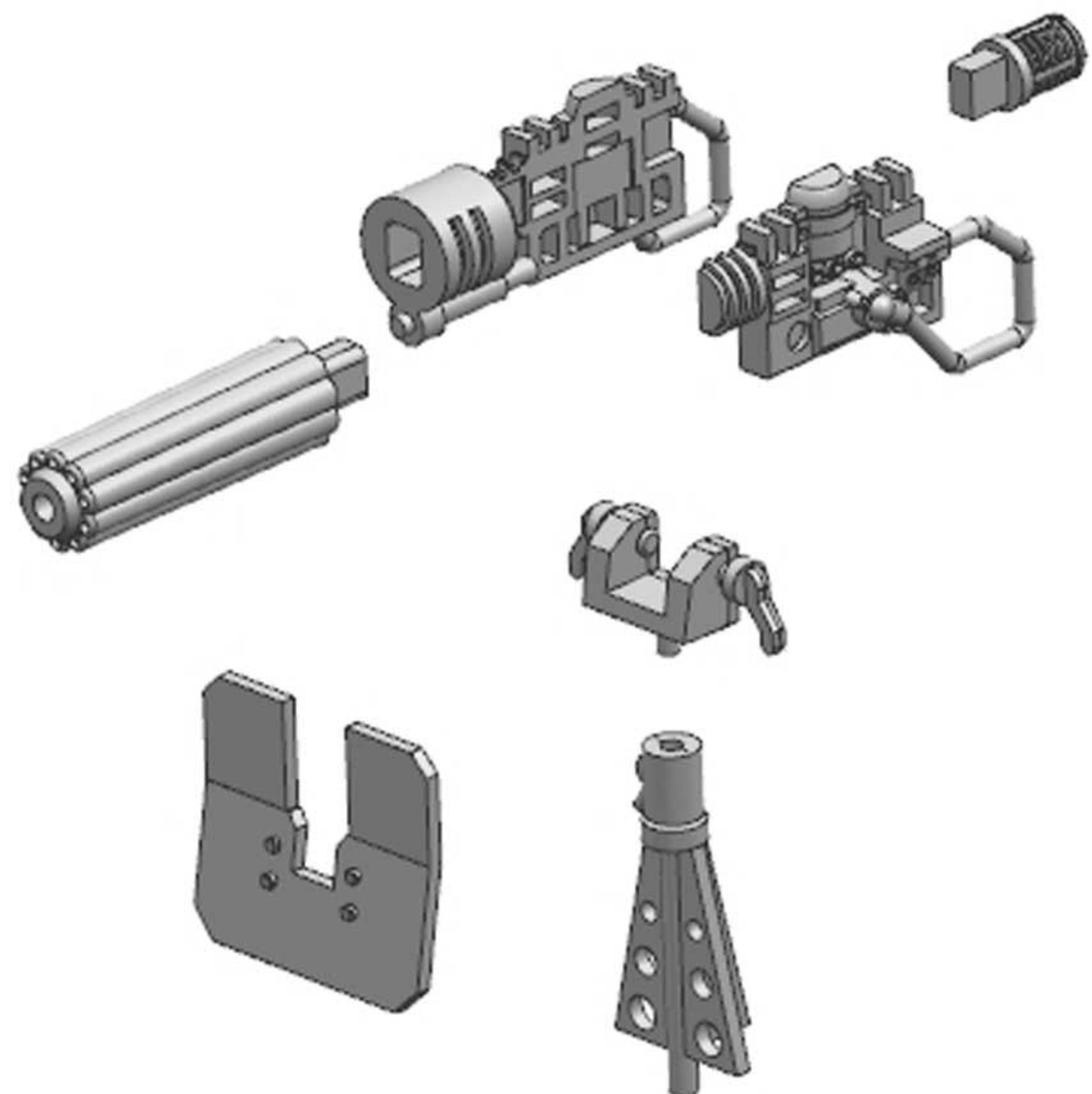


# JERRYCANS ASSEMBLY.

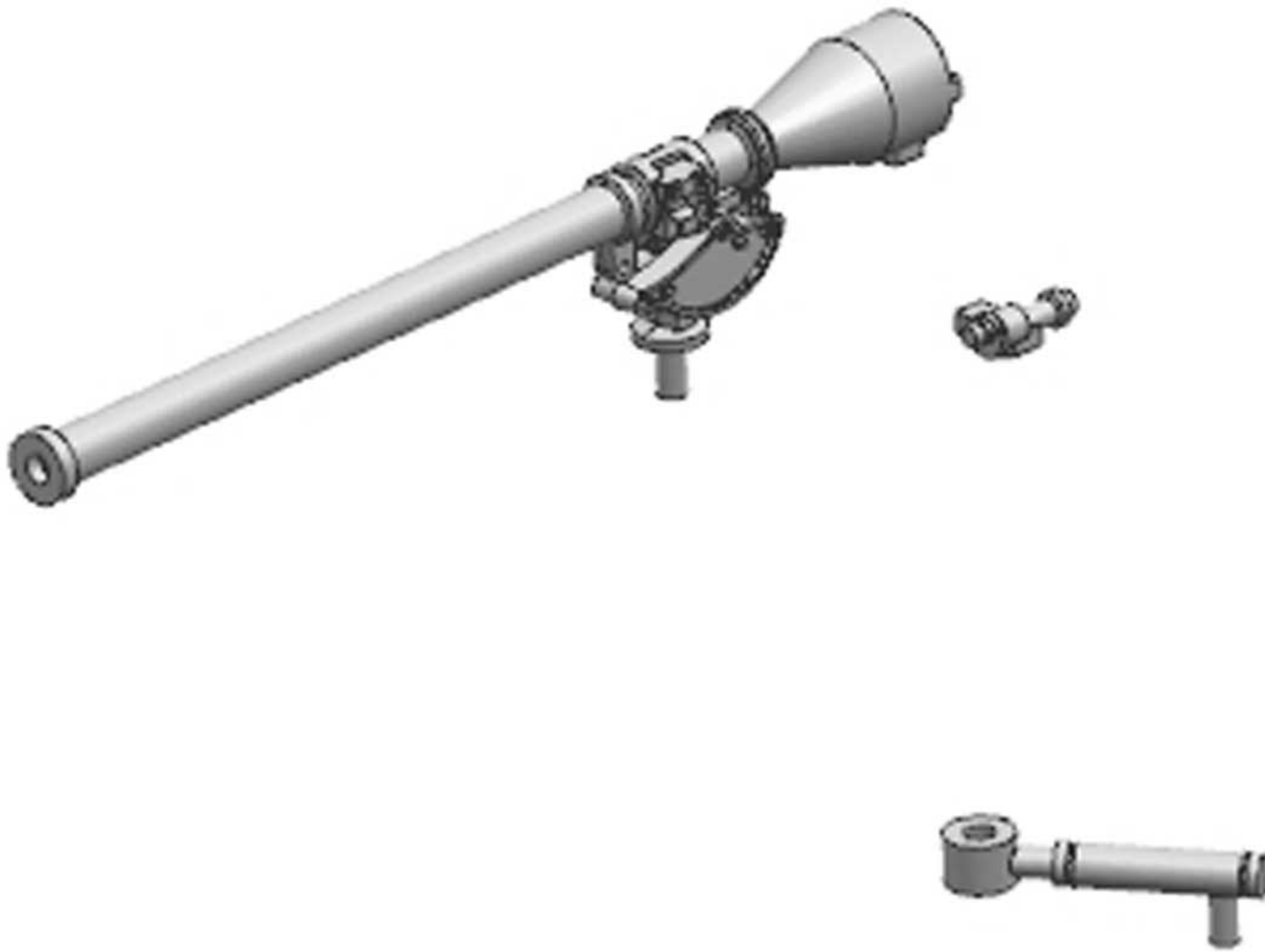


# PHASER GUN ASSEMBLY.

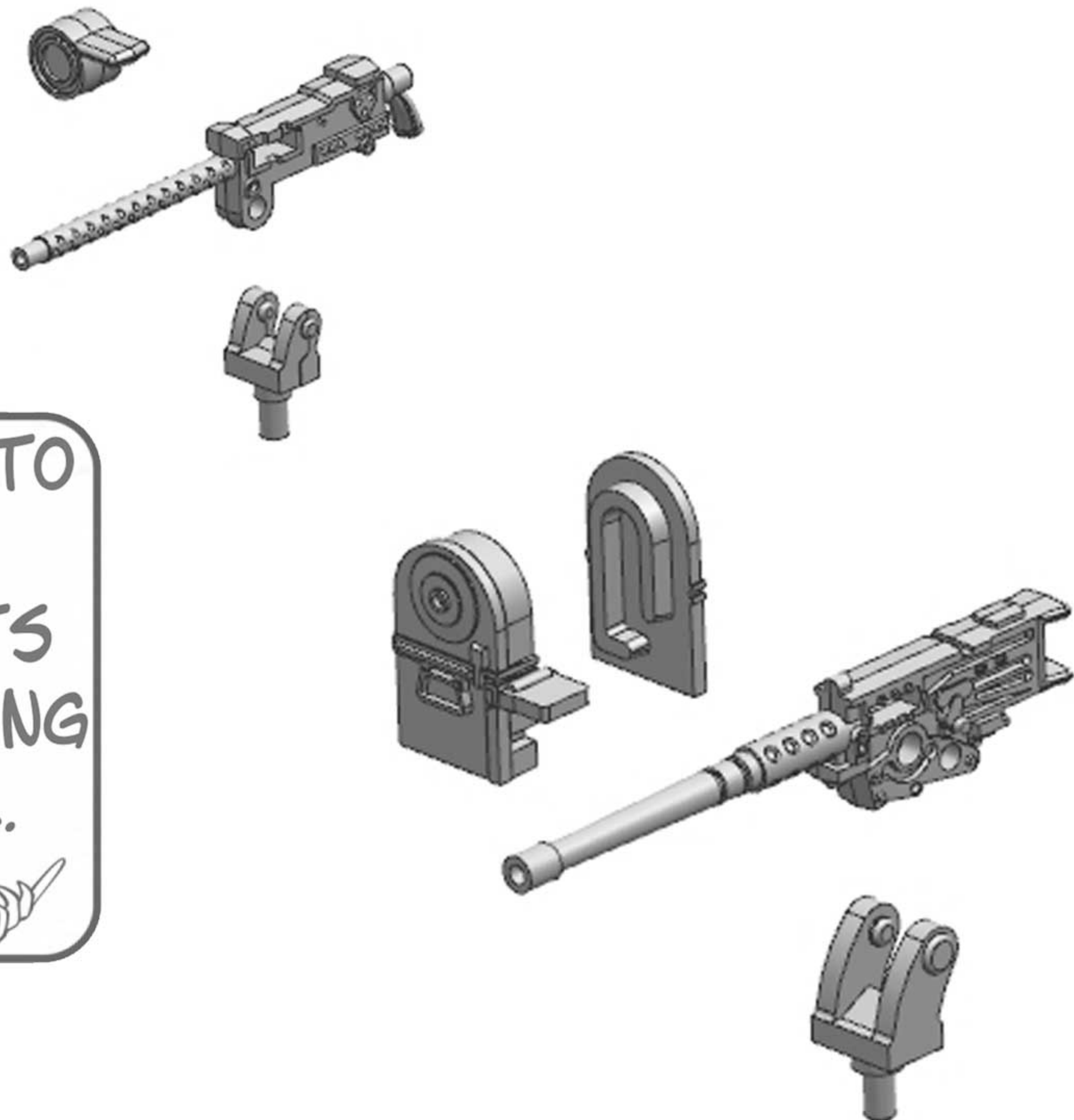
REMEMBER TO  
DRY-FIT  
YOUR PARTS  
BEFORE USING  
ANY GLUE.



# RECOILLESS GUN ASSEMBLY.



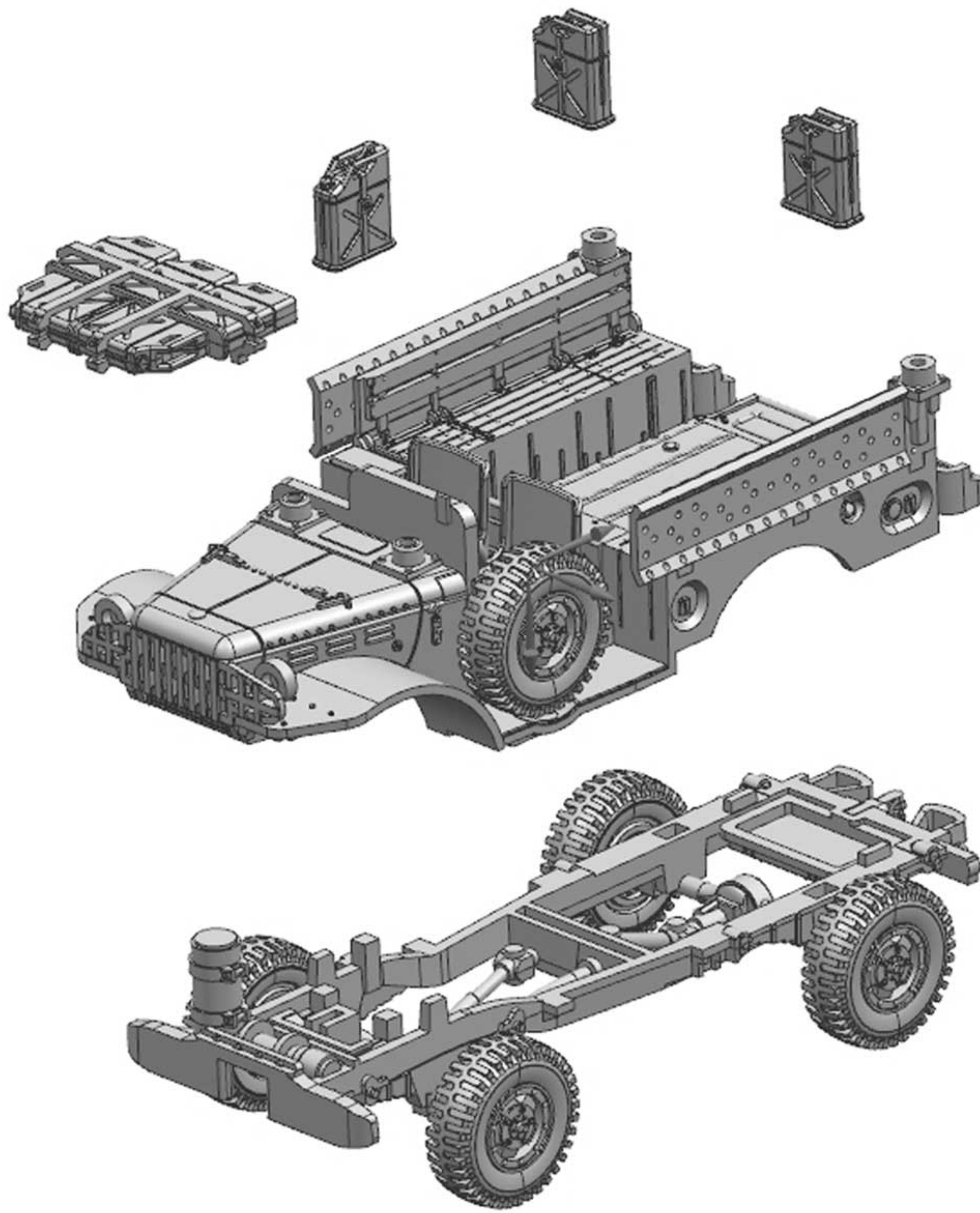
# 30CAL. AND 50CAL. ASSEMBLY.



REMEMBER TO  
DRY-FIT  
YOUR PARTS  
BEFORE USING  
ANY GLUE.

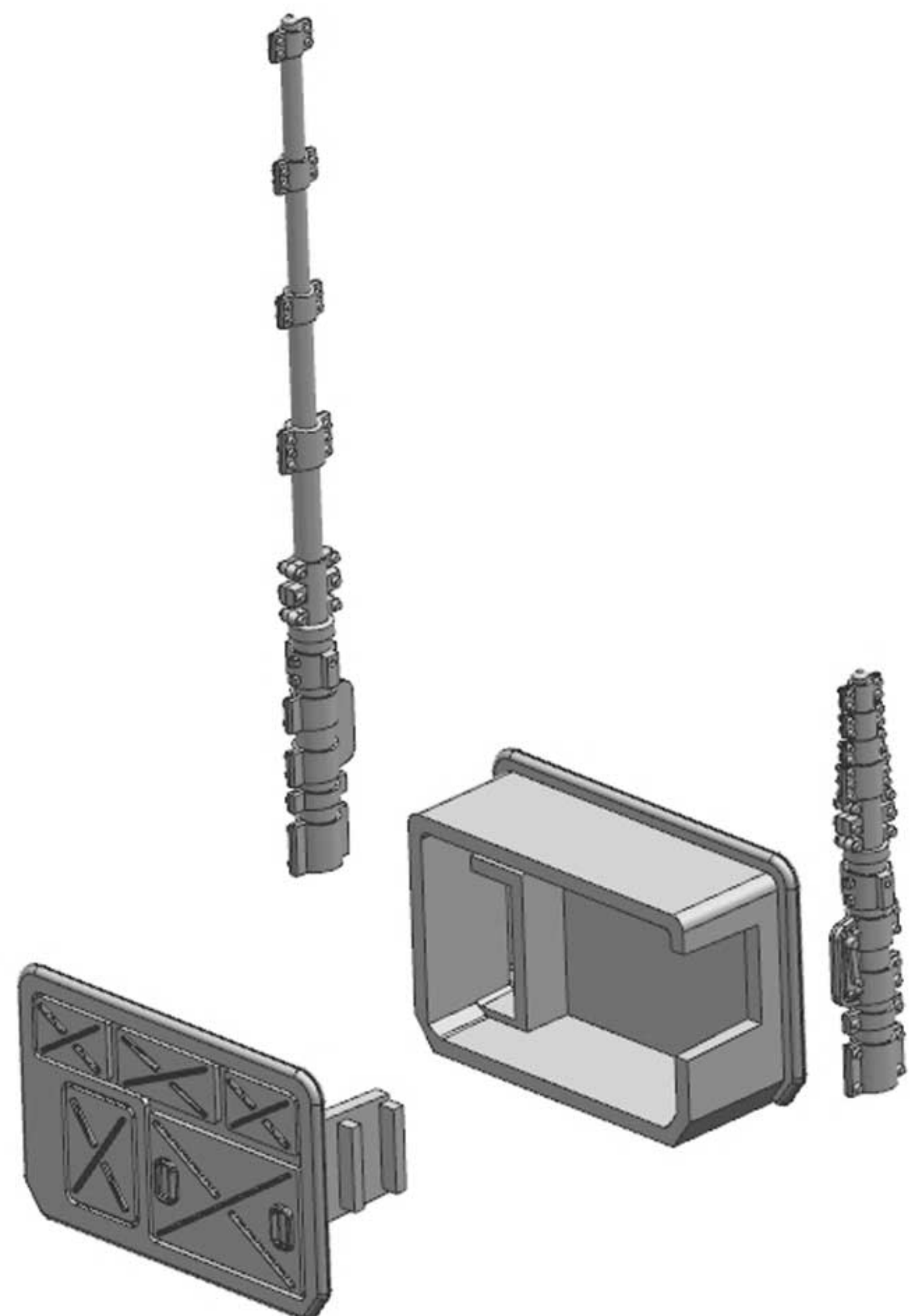


# CHASSIS + BODY ASSEMBLY.

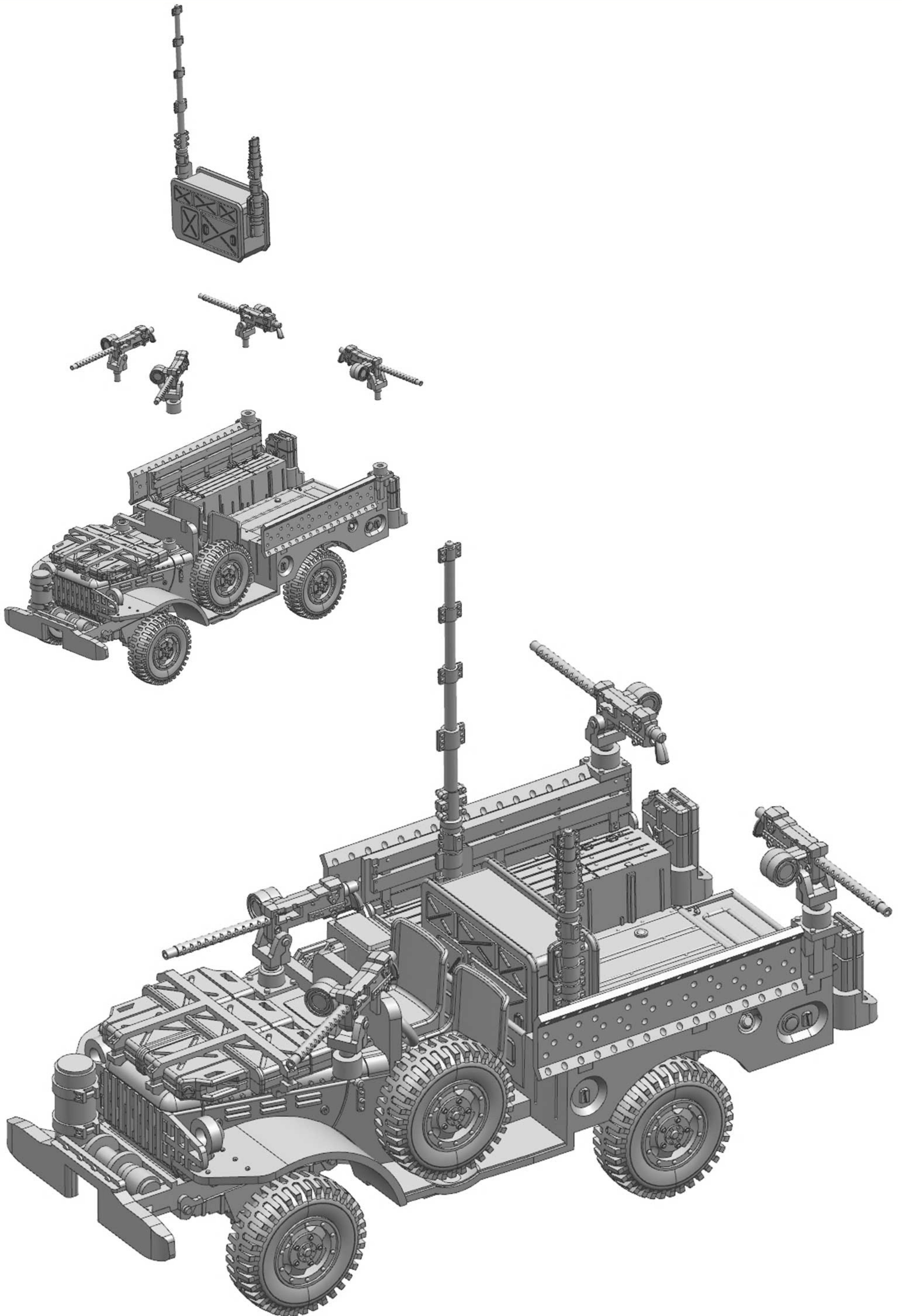


# COMMAND RADIO ASSEMBLY.

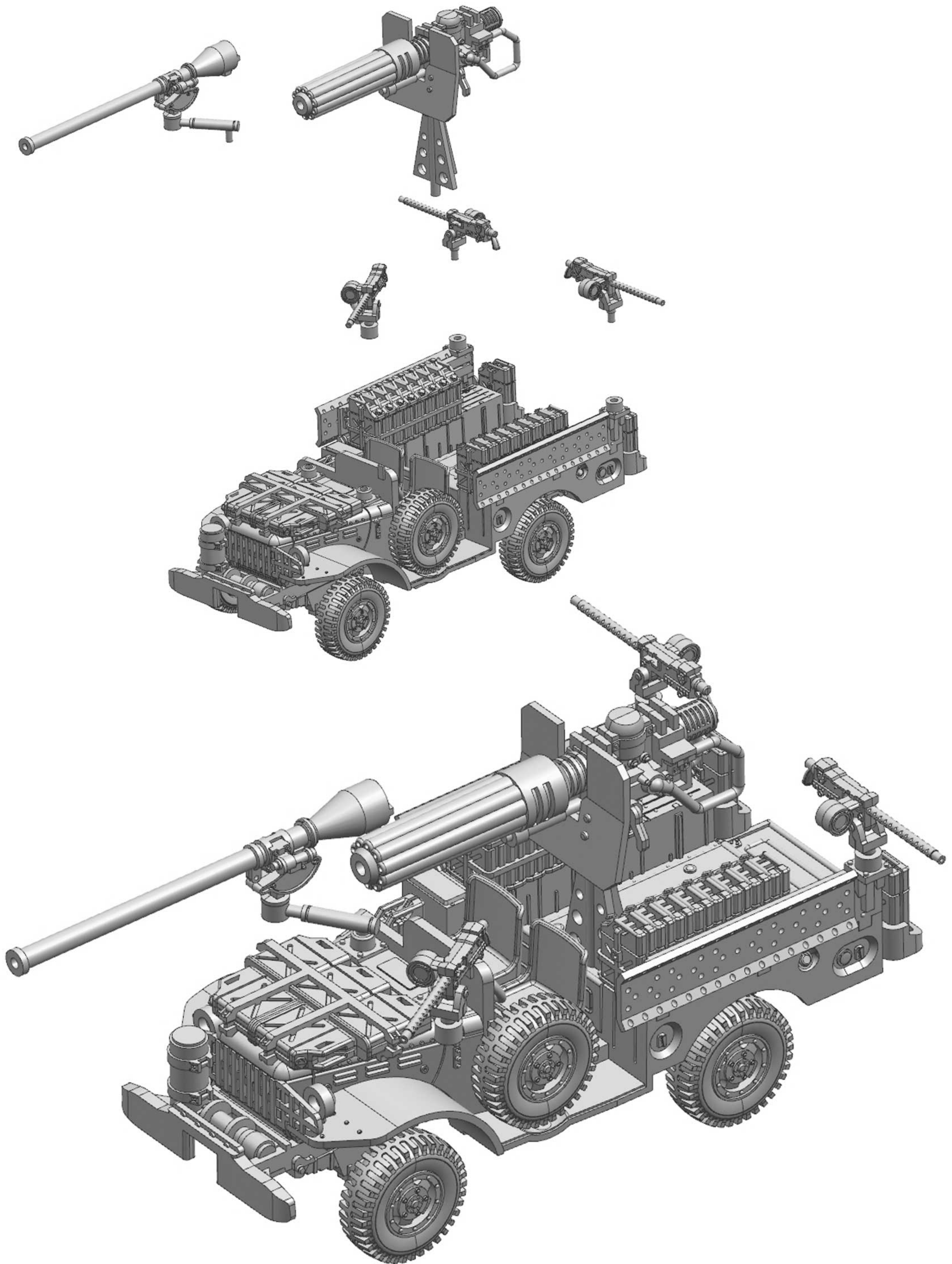
REMEMBER TO  
DRY-FIT  
YOUR PARTS  
BEFORE USING  
ANY GLUE.



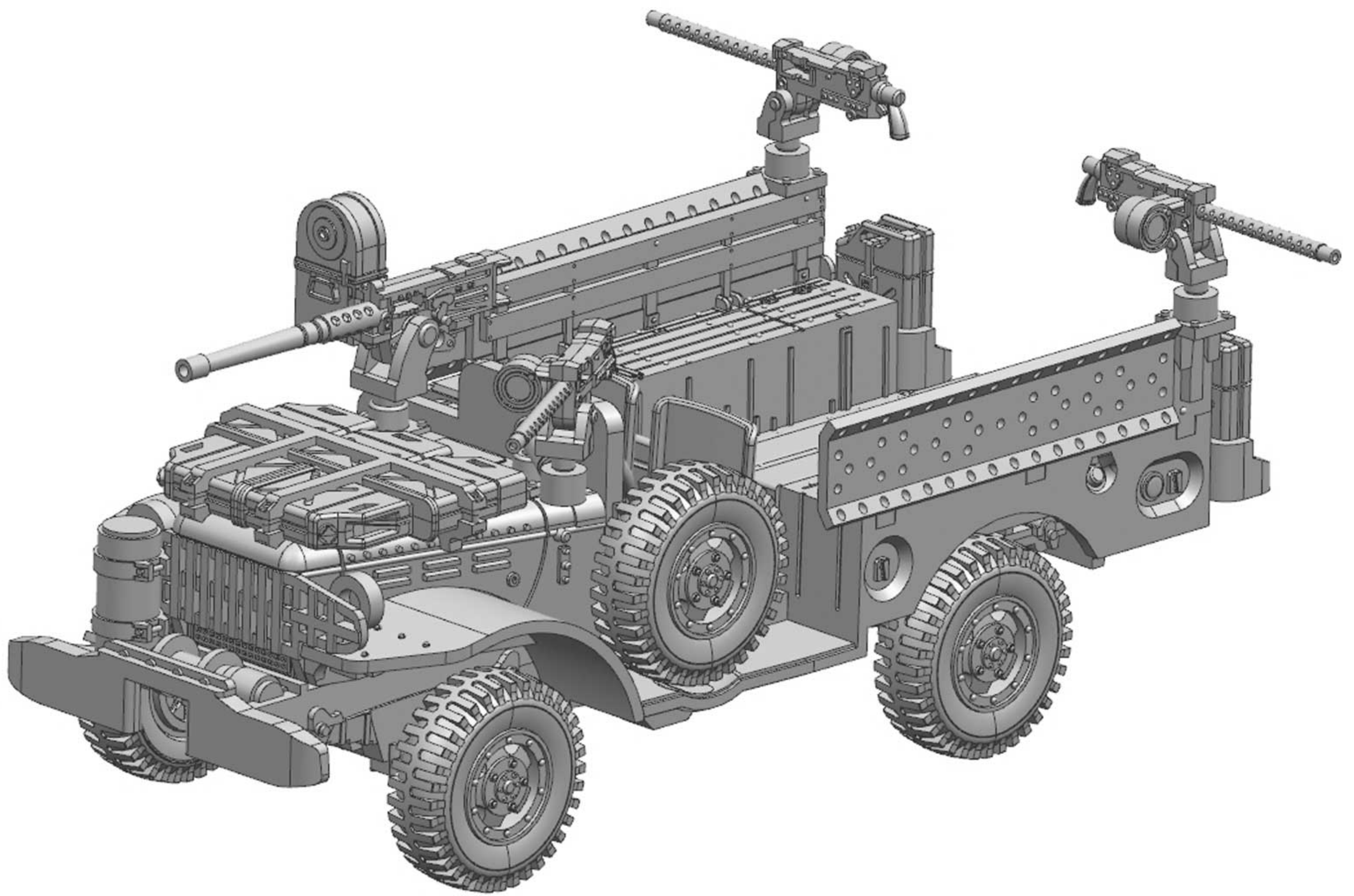
# COMMAND TRUCK FINAL ASSEMBLY.



# GUN TRUCK FINAL ASSEMBLY.



# TRANSPORT TRUCK SET-UP.



THIS SET INCLUDES 3  
UNIT CARDS, ONE  
FOR COMMAND,  
ONE FOR GUN AND  
ONE FOR TRANSPORT  
4X4 DODGE TRUCK.